



Main

| | |
|-----------------------------------|-------------------|
| Accessory / separate part categor | Cabling accessory |
| Accessory / separate part type | Jumper cable |

Complementary

| | |
|-------------------------------------|--|
| Jumper cable end 1 | M12 male 4 pins straight connector with screw-on |
| Jumper cable end 2 | M8 female 4 pins elbowed connector with screw-on |
| Cable composition | 4 x 0.34 mm ² |
| Cable length | 1 m |
| Wire insulation material | PUR |
| Cable outer diameter | 5.2 mm |
| [Ue] rated operational voltage | 60 V AC 75 V DC |
| [In] rated current | 4 A |
| Insulation resistance | >= 1000 MOhm |
| Maximum resistance across terminals | 5000 mOhm |
| Net weight | 0.055 kg |

Environment

| | |
|---------------------------------------|--|
| IP degree of protection | IP67 IP69K IP65 |
| Product certifications | cULus |
| Ambient air temperature for operation | -35...90 °C static -5...90 °C flexing |
| Ambient air temperature for storage | -35...100 °C |

Packing Units

| | |
|------------------------------|-----------|
| Unit Type of Package 1 | PCE |
| Number of Units in Package 1 | 1 |
| Package 1 Height | 2.000 cm |
| Package 1 Width | 15.000 cm |
| Package 1 Length | 26.000 cm |
| Package 1 Weight | 52.000 g |
| Unit Type of Package 2 | S02 |
| Number of Units in Package 2 | 50 |
| Package 2 Height | 15.000 cm |
| Package 2 Width | 30.000 cm |
| Package 2 Length | 40.000 cm |
| Package 2 Weight | 2.940 kg |

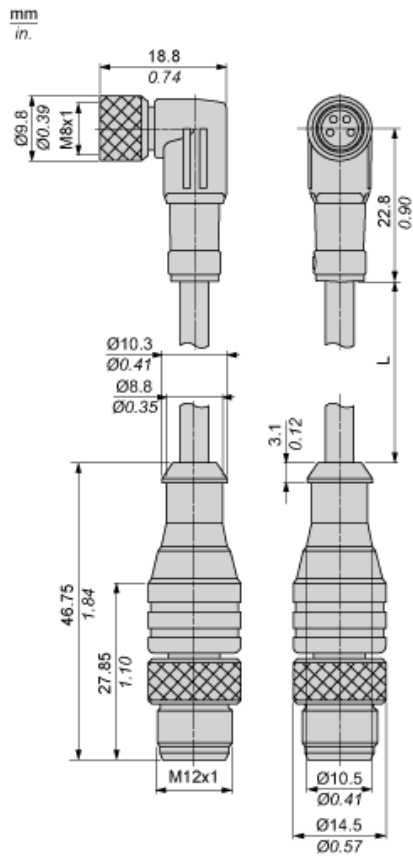
Offer Sustainability

| | |
|--|---|
| Sustainable offer status | Green Premium product |
| California proposition 65 | WARNING: This product can expose you to chemicals including: Diisononyl phthalate (DINP), which is known to the State of California to cause cancer, and Di-isodecyl phthalate (DIDP), which is known to the State of California to cause birth defects or other reproductive harm. For more information go to www.P65Warnings.ca.gov |
| For all Reach Rohs enquiries contact us at | sustainability@tesensors.com |

Contractual warranty

| | |
|----------|-----------|
| Warranty | 18 months |
|----------|-----------|

Dimensions



L : Length of cable

Connections and Schemes

