

XZCC12MCM50B

Male, M12, 5 pin, elbowed connector, cable gland Pg 7



Main

Range of product	Telemecanique Cabling components
Accessory / separate part categor	Cabling accessories
Accessory / separate part type	Connector
Electrical connection	Elbowed male connector M12, 5 pins
Collar material	Metal
Status LED	Without
Cable connection	Screw terminal / wire size <0.75 mm ² / clamping capacity 3...6 mm

Complementary

Cable gland type	Pg 7
Cable connector fixing	Screw-on
[Ue] rated operational voltage	30 V AC 36 V DC
[In] rated current	3 A
Enclosure material	Plastic
Minimum insulating resistance	1000 GΩ
Contact resistance	8000 μOhm
Net weight	0.025 kg

Environment

IP degree of protection	IP67
Ambient air temperature for operation	-40...85 °C

Packing Units

Unit Type of Package 1	PCE
Number of Units in Package 1	1
Package 1 Height	2.000 cm
Package 1 Width	5.000 cm
Package 1 Length	12.500 cm
Package 1 Weight	27.000 g
Unit Type of Package 2	S01
Number of Units in Package 2	50
Package 2 Height	15.000 cm
Package 2 Width	15.000 cm
Package 2 Length	40.000 cm
Package 2 Weight	1.556 kg

Offer Sustainability

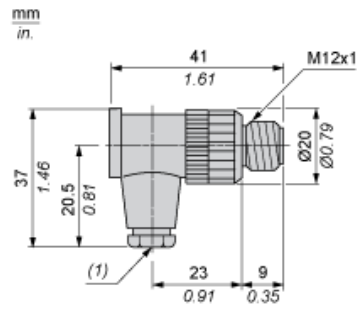
California proposition 65	WARNING: This product can expose you to chemicals including: Diisononyl phthalate (DINP), which is known to the State of California to cause cancer, and Di-isodecyl phthalate (DIDP), which is known to the State of California to cause birth defects or other reproductive harm. For more information go to www.P65Warnings.ca.gov
For all Reach Rohs enquiries contact us at	sustainability@tesensors.com

Contractual warranty

Warranty

18 months

Dimensions



(1) Cable gland : no. 7 plastic (Pg 7)

Connections and Schemes

