

XY2CE2A250

Latching emergency stop rope pull switch, Telemecanique rope pull switches XY2C, e XY2CE, LH side -1NC+1 NO, booted pushbutton



Main

| | |
|---------------------------|---|
| Range of product | Telemecanique Emergency stop rope pull switches XY2C |
| Product or component type | Latching emergency stop rope pull switch |
| Device short name | XY2CE |
| Housing colour | Red RAL 3000 |
| Overvoltage category | Class I conforming to EN/IEC 61140 Class I conforming to NF C 20-030 |

Complementary

| | |
|--|---|
| Local signalling | Without pilot light |
| Number of cables | 1 |
| Trigger cable maximum length | 70 m |
| Body material | Zamak |
| Cover material | Stainless steel |
| Reset | By booted push-button |
| Contacts type and composition | 1 NC + 1 NO |
| Contact operation | Slow-break |
| Trigger cable anchor point | LH side |
| Connections - terminals | Screw clamp terminal, 1 x 0.5...2 x 1.5 mm ² |
| Tightening torque | 0.8...1.2 N.m |
| Cable entry number | 3 plain hole for Pg 13.5 or ISO M20 cable gland |
| Safety level | Can reach PL = e with the appropriate monitoring system and correctly wired conforming to EN/ISO 13849-1 Can reach category 4 with the appropriate monitoring system and correctly wired conforming to EN/ISO 13849-1 Can reach SIL 3 with the appropriate monitoring system and correctly wired conforming to EN/IEC 61508 |
| Safety reliability data | B10d = 300000 conforming to IEC 60947-5-5 value given for a life time of 20 years limited by mechanical or contact wear |
| Marking | CE |
| Mechanical durability | 60000 cycles |
| Distance between cable supports | 5 m |
| [Ie] rated operational current | 3 A at 240 V, AC-15, A300 conforming to EN/IEC 60947-5-1 appendix A 0.27 A at 250 V, DC-13, Q300 conforming to EN/IEC 60947-5-1 appendix A |
| [Ithe] conventional enclosed thermal current | 10 A |
| [Ui] rated insulation voltage | 500 V (pollution degree 3) conforming to EN/IEC 60947-1 300 V conforming to UL 508 300 V conforming to CSA C22.2 No 14 |
| [Uimp] rated impulse withstand voltage | 6 kV conforming to EN/IEC 60947-1 |
| Positive opening | With conforming to EN/IEC 60947-5-1 |
| Maximum resistance across terminals | 25 MOhm conforming to EN/IEC 60255-7 category 3 25 MOhm conforming to NF C 93-050 method A |
| Short-circuit protection | 10 A cartridge fuse type gG conforming to EN/IEC 60269 |

The information provided in this documentation contains general descriptions and/or technical characteristics of the performance of the products contained herein. This documentation is not intended as a substitute for and is not to be used for determining suitability or reliability of these products for specific user applications. It is the duty of any such user or integrator to perform the appropriate and complete risk analysis, evaluation and testing of the products with respect to the relevant specific application or use thereof. Neither TWSS Holding nor any of its affiliates or subsidiaries shall be responsible or liable for misuse of the information contained herein.

| | |
|-------------------------------|------------------------|
| Terminals description ISO n°1 | (21-22)NC (13-14)NO |
| Net weight | 1.45 kg |
| Compatibility code | XY2CE |

Environment

| | |
|---------------------------------------|---|
| Standards | EN/IEC 60947-5-1 UL 508 CSA C22.2 No 14 Work equipment directive 2009/104/EC EN/IEC 60204-1 EN/ISO 13850 Machinery directive 2006/42/EC EN/IEC 60947-5-5 |
| Product certifications | UL category NISD emergency stop devices[RETURN]CSA[RETURN]CCC |
| Protective treatment | TC |
| Ambient air temperature for operation | -25...70 °C |
| Ambient air temperature for storage | -40...70 °C |
| Vibration resistance | 10 gn (f= 10...300 Hz) conforming to EN/IEC 60068-2-6 |
| Shock resistance | 50 gn 11 ms conforming to EN/IEC 60068-2-27 |
| IP degree of protection | IP66 conforming to IEC 60529 |

Packing Units

| | |
|------------------------------|-----------|
| Unit Type of Package 1 | PCE |
| Number of Units in Package 1 | 1 |
| Package 1 Height | 9.000 cm |
| Package 1 Width | 16.000 cm |
| Package 1 Length | 20.200 cm |
| Package 1 Weight | 1.551 kg |
| Unit Type of Package 2 | S03 |
| Number of Units in Package 2 | 6 |
| Package 2 Height | 30.000 cm |
| Package 2 Width | 30.000 cm |
| Package 2 Length | 40.000 cm |
| Package 2 Weight | 9.740 kg |
| Unit Type of Package 3 | P06 |
| Number of Units in Package 3 | 48 |
| Package 3 Height | 75.000 cm |
| Package 3 Width | 60.000 cm |
| Package 3 Length | 80.000 cm |
| Package 3 Weight | 88.652 kg |

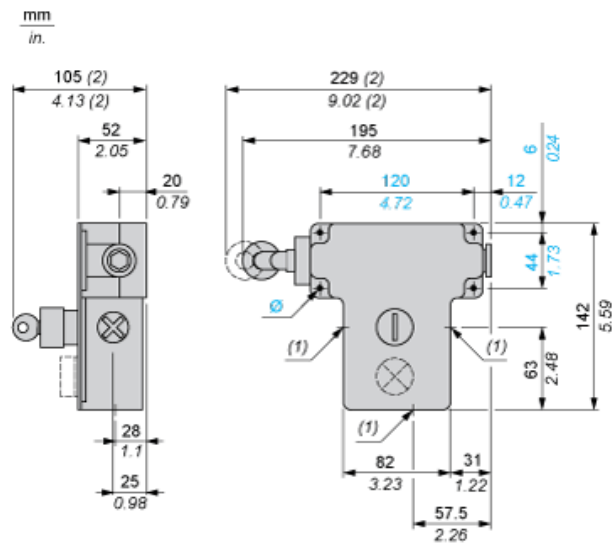
Offer Sustainability

| | |
|--|---|
| Sustainable offer status | Green Premium product |
| Circularity Profile | No need of specific recycling operations |
| California proposition 65 | WARNING: This product can expose you to chemicals including: Diisononyl phthalate (DINP), which is known to the State of California to cause cancer, and Di-isodecyl phthalate (DIDP), which is known to the State of California to cause birth defects or other reproductive harm. For more information go to www.P65Warnings.ca.gov |
| For all Reach Rohs enquiries contact us at | sustainability@tesensors.com |

Contractual warranty

| | |
|----------|-----------|
| Warranty | 18 months |
|----------|-----------|

Dimensions



- (1) 3 plain holes for Pg 13.5 cable gland.
- (2) Maximum extension.
- Ø 4 elongated holes Ø 6 mm/0.24 in.

Electrical Curves

AC Supply 50/60 Hz Inductive Circuit

2-pole Contact Block



Y Millions of operating cycles
X Current in A

DC Supply Power Broken in for 1 Million Operating Cycles Inductive Circuit

| | | | | |
|-----------|---|----|----|-----|
| Voltage | V | 24 | 48 | 120 |
| P_{max} | W | 13 | 9 | 7 |