



## Main

|                               |   |
|-------------------------------|---|
| Range of product              | Telemecanique Photoelectric sensors XU  |
| Series name                   | Application   |
| Electronic sensor type        | Photo-electric sensor   |
| Sensor name                   | XUY   |
| Sensor design                 | Miniature   |
| Detection system              | Diffuse with background suppression   |
| Material                      | Plastic   |
| Type of output signal         | Discrete  |
| Supply circuit type           | DC  |
| Wiring technique              | 4-wire  |
| Discrete output type          | PNP   |
| Discrete output function      | 1 NO or 1 NC programmable   |
| Electrical connection         | Cable   |
| Cable length                  | 2 m   |
| Product specific application  | Conveyor system and access control series   |
| Emission                      | Red LED, pulsed   |
| [Sn] nominal sensing distance | 1 M polarised reflex<br>4 M thru beam<br>0.08 M diffuse with background suppression<br>0.25 m diffuse with adjustable sensitivity |

## Complementary

|                           |   |
|---------------------------|---|
| Enclosure material        | ABS   |
| Lens material             | PMMA  |
| Cover material            | PVC   |
| Pulse frequency           | 6 kHz   |
| Output type               | Solid state   |
| [Us] rated supply voltage | 12...24 V DC with reverse polarity protection                 |
| Supply voltage limits     | 10...30 V DC  |
| Switching capacity in mA  | 100 mA (overload and short-circuit protection)                |
| Switching frequency       | 500 Hz  |
| Maximum voltage drop      | <2 V at 100 mA (closed state)<br><1 V at 10 mA (closed state) |
| Current consumption       | < 25 mA no-load   |
| Maximum delay response    | 1 ms  |
| Net weight                | 0.075 kg  |

## Environment

|                                       |  |
|---------------------------------------|--|
| Product certifications                | cULus[RETURN]CE  |
| Ambient air temperature for operation | 0...50 °C  |
| Ambient air temperature for storage   | -20...80 °C  |
| Immunity to ambient light             | 10000 Lux natural light<br>5000 lux incandescent bulb        |
| IP degree of protection               | IP65 conforming to IEC 60529<br>IP67 conforming to IEC 60529 |

## Packing Units

|                              |           |
|------------------------------|-----------|
| Unit Type of Package 1       | PCE       |
| Number of Units in Package 1 | 1         |
| Package 1 Height             | 3.500 cm  |
| Package 1 Width              | 7.000 cm  |
| Package 1 Length             | 13.000 cm |
| Package 1 Weight             | 73.000 g  |
| Unit Type of Package 2       | S01       |
| Number of Units in Package 2 | 15        |
| Package 2 Height             | 15 cm     |
| Package 2 Width              | 15 cm     |
| Package 2 Length             | 40 cm     |
| Package 2 Weight             | 1.313 kg  |

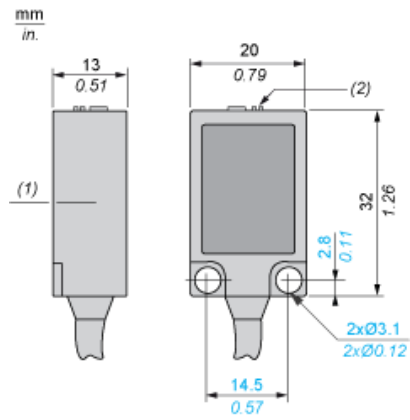
## Offer Sustainability

|  |   |
|--|---|
| California proposition 65                  | WARNING: This product can expose you to chemicals including: Diisononyl phthalate (DINP), which is known to the State of California to cause cancer, and Di-isodecyl phthalate (DIDP), which is known to the State of California to cause birth defects or other reproductive harm. For more information go to <a href="http://www.P65Warnings.ca.gov">www.P65Warnings.ca.gov</a> |
| For all Reach Rohs enquiries contact us at | <a href="mailto:sustainability@tesensors.com">sustainability@tesensors.com</a>  |

## Contractual warranty

|          |           |
|----------|-----------|
| Warranty | 18 months |
|----------|-----------|

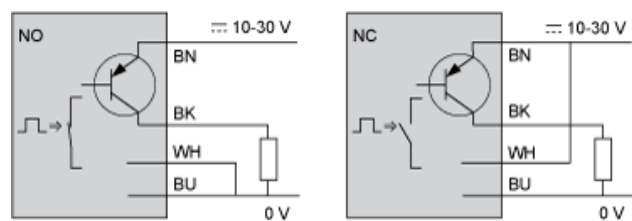
Dimensions



- (1) Optical axis
- (2) Accuracy adjustment

## Connections and Schemes

### PNP Output



BN : Brown  
BU : Blue  
BK : Black  
WH : White