



Main

Range of product	Telemecanique Photoelectric sensors XU
Series name	Application material handling
Electronic sensor type	Photo-electric sensor
Sensor name	XUY
Sensor design	Compact 50 x 50
Detection system	Diffuse
Material	Plastic
Supply circuit type	DC
Wiring technique	5-wire
Discrete output type	PNP
Analogue output range	4...20 mA
Electrical connection	1 male connector M12, 5 pins
Product specific application	Measuring thickness of mechanical parts Position control of robot arm
Emission	Red laser, pulsed, wavelength: 650 nm - class 1 conforming to IEC 825-1
[Sn] nominal sensing distance	80...300 mm

Complementary

Enclosure material	ABS, anti-shock
Pulse frequency	2.5 kHz
Linearity	< 0.25 %
Spot diameter	5.25 mm at 80 mm
Spot dimension	1.5 x 3.5 mm at 80 mm
Resolution	200 µm
Status LED	Supply on: 1 LED (green) Dirty: 1 LED (red)
[Us] rated supply voltage	24 V DC with reverse polarity protection
Supply voltage limits	18...28 V DC
Switching capacity in mA	100 mA (overload and short-circuit protection)
Switching frequency	< 40 Hz
Maximum voltage drop	<2.4 V (closed state)
Current consumption	40 mA no-load
Maximum delay response	40 Ms for output circuit medium speed mode 0.4 ms for output circuit fast speed mode
Setting-up	Parameterizing by buttons
Net weight	0.057 kg

Environment

Product certifications	CE
Ambient air temperature for operation	0...45 °C
Ambient air temperature for storage	-20...60 °C
Immunity to ambient light	5000 lux natural light
Vibration resistance	7 gn, amplitude = +/- 1.5 mm (f = 10...55 Hz) conforming to IEC 60068-2-6
Shock resistance	30 gn (duration = 11 ms) conforming to IEC 60068-2-27
IP degree of protection	IP67 conforming to IEC 60529

Packing Units

Unit Type of Package 1	PCE
Number of Units in Package 1	1
Package 1 Height	3.000 cm
Package 1 Width	7.000 cm
Package 1 Length	10.000 cm
Package 1 Weight	58.000 g
Unit Type of Package 2	S01
Number of Units in Package 2	10
Package 2 Height	15 cm
Package 2 Width	15 cm
Package 2 Length	40 cm
Package 2 Weight	771.000 g

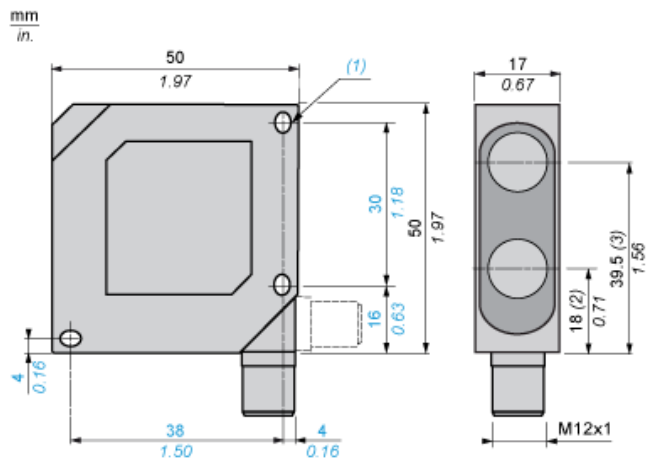
Offer Sustainability

California proposition 65	WARNING: This product can expose you to chemicals including: Diisononyl phthalate (DINP), which is known to the State of California to cause cancer, and Di-isodecyl phthalate (DIDP), which is known to the State of California to cause birth defects or other reproductive harm. For more information go to www.P65Warnings.ca.gov
For all Reach Rohs enquiries contact us at	sustainability@tesensors.com

Contractual warranty

Warranty	18 months
----------	-----------

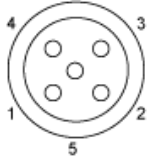
Dimensions



- (1) 2 elongated holes $\text{Ø } 4.3 \times 4$
- (2) Transmitter optical axis
- (3) Receiver optical axis

Wiring Schemes

M12



- 1: Brown
- 2: White
- 3: Blue
- 4: Black
- 5: Grey

PNP Output

PNP	BN	18-28 V
	WH	QA
	BU	0 V
	BK	Q
	GY	IN

- BN : Brown : 18-28V
- WH : White : 4-20 mA analogue output (R< 500 Ohm)
- BU : Blue : 0 V
- BK : Black : OUT/Output
- GY : Grey : IN

Adjustment Curves

