

XUYFALNEP40120

Photoelectric sensors XU, XUY, fork, laser, teach, 120X42mm, 12...24 VDC, M8



Main

| | |
|-------------------------------|---|
| Range of product | Telemecanique Photoelectric sensors XU |
| Series name | Application |
| Electronic sensor type | Photo-electric sensor |
| Sensor name | XUY |
| Sensor design | Fork |
| Detection system | Thru beam |
| Emission | Infrared laser, modulated - class 1 conforming to IEC 825-1 |
| Passage width | 120 mm |
| Passage depth | 42 mm |
| Material | Metal/plastic |
| Supply circuit type | DC |
| Wiring technique | 4-wire |
| Discrete output type | PNP and NPN |
| Discrete output function | 1 NO or 1 NC programmable |
| Electrical connection | 1 male connector M8, 4 pins |
| Product specific application | Detection of reference marks Detection on vibrating rail Detection of transparent object Detection on small conveyor |
| [Sn] nominal sensing distance | 120 mm |

Complementary

| | |
|---------------------------------------|---|
| Enclosure material | Painted aluminium and polyamide/glass |
| Keypad type | Yellow |
| Minimum object diameter for detection | 0.05 mm |
| Type of output signal | Discrete |
| Output type | Solid state |
| Status LED | Adjustment mode and keypad locking: 1 LED (red) Output state: 1 LED (yellow) |
| [Us] rated supply voltage | 12...24 V DC with reverse polarity protection |
| Supply voltage limits | 10...30 V DC |
| Switching capacity in mA | 100 mA (overload and short-circuit protection) |
| Switching frequency | 10 kHz |
| Maximum voltage drop | <2 V (closed state) |
| Current consumption | 40 mA no-load |
| Load capacitance | 330 nF |
| Time response | -20...20 µs |
| Setting-up | Self teaching |
| Net weight | 0.19 kg |

Environment

| | |
|---------------------------------------|--|
| Product certifications | cULus[RETURN]CE |
| Ambient air temperature for operation | -20...60 °C |
| Ambient air temperature for storage | -30...80 °C |
| Immunity to ambient light | 10000 Lux natural light 5000 lux incandescent bulb |
| Vibration resistance | 7 gn, amplitude = +/- 0.75 mm (f = 10...55 Hz) conforming to IEC 60068-2-6 |

| | |
|-------------------------|---|
| Shock resistance | 30 gn (duration = 11 ms) conforming to IEC 60068-2-27 |
| IP degree of protection | IP65 conforming to IEC 60529 |

Packing Units

| | |
|------------------------------|----------|
| Unit Type of Package 1 | PCE |
| Number of Units in Package 1 | 1 |
| Package 1 Height | 1.27 cm |
| Package 1 Width | 13.97 cm |
| Package 1 Length | 16.51 cm |
| Package 1 Weight | 0.1 kg |

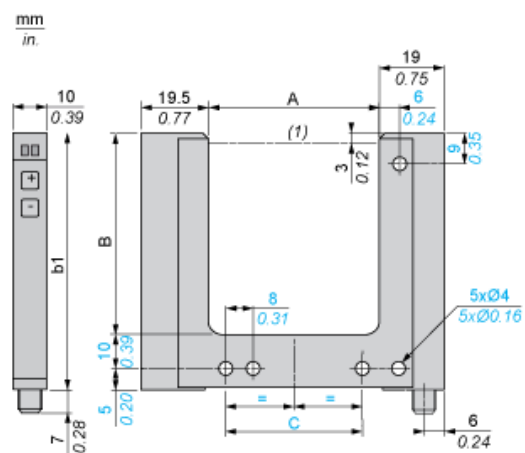
Offer Sustainability

| | |
|--|---|
| California proposition 65 | WARNING: This product can expose you to chemicals including: Diisononyl phthalate (DINP), which is known to the State of California to cause cancer, and Di-isodecyl phthalate (DIDP), which is known to the State of California to cause birth defects or other reproductive harm. For more information go to www.P65Warnings.ca.gov |
| For all Reach Rohs enquiries contact us at | sustainability@tesensors.com |

Contractual warranty

| | |
|----------|-----------|
| Warranty | 18 months |
|----------|-----------|

Dimensions



(1) Optical axis

Dimensions in mm

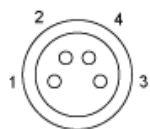
| A | B | b1 | C |
|-----|----|----|-----|
| 120 | 42 | 57 | 110 |

Dimensions in in.

| A | B | b1 | C |
|------|------|------|------|
| 4.72 | 1.65 | 2.24 | 4.33 |

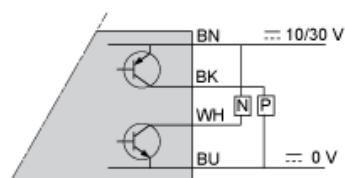
Wiring Schemes

M8 Connector



- 1 : BN: Brown
- 2 : WH: White
- 3 : BU: Blue
- 4 : BK: Black

4-Wire, PNP/NPN Outputs



- BN : Brown
- WH : White
- BK : Black
- BU : Blue