

# XUYDCFCO966S

Photoelectric sensors XU, XUY, M8 connector,  
Sn 4 mm, discrete solid state



## Main

Range of product	Telemecanique Photoelectric sensors XU
Series name	Application packaging
Electronic sensor type	Photo-electric sensor
Sensor name	XUY
Sensor design	Fiber design
Detection system	Diffuse
Emission	White LED (450 - 650 nm)
[Sn] nominal sensing distance	18 Mm with fiber optic XUYFPDC61/101 4 mm with fiber optic XUYFPDCM861/M8101
Material	Plastic
Switching frequency	< 20 kHz
Type of output signal	Discrete
Supply circuit type	DC
Wiring technique	4-wire
Discrete output type	PNP and NPN
Discrete output function	1 NO or 1 NC programmable
Electrical connection	1 male connector M8, 4 pins

## Complementary

Enclosure material	Polyamide
Lens material	Polyamide
Pulse frequency	40 kHz
Spot diameter	1.5 mm
Depth of field	- 3...1 mm with fiber optic XUYFPDC61/101 - 5...7 mm with fiber optic XUYFPDC61/101 +/- 1 mm with fiber optic XUYFPDCM861/M8101
Output type	Solid state
Status LED	Output state indication: 1 LED
[Us] rated supply voltage	24 V DC with reverse polarity protection
Supply voltage limits	10...30 V DC
Voltage state 0 guaranteed	< 1.4 V
Voltage state 1 guaranteed	> 3 V
Switching capacity in mA	100 mA (overload and short-circuit protection)
Maximum voltage drop	<2 V (closed state)
Current consumption	50 mA
Maximum delay response	25 µs
Maximum delay recovery	25 µs
Setting-up	With sensitivity adjustment
Net weight	0.047 kg

## Environment

Product certifications	CE[RETURN]cULus
Ambient air temperature for operation	0...40 °C
Ambient air temperature for storage	-20...80 °C
Immunity to ambient light	10000 Lux natural light 20000 lux incandescent bulb
IP degree of protection	IP65 conforming to IEC 60529

## Packing Units

Unit Type of Package 1	PCE
Number of Units in Package 1	1
Package 1 Height	3.500 cm
Package 1 Width	7.000 cm
Package 1 Length	13.000 cm
Package 1 Weight	47.000 g
Unit Type of Package 2	S02
Number of Units in Package 2	35
Package 2 Height	15 cm
Package 2 Width	30 cm
Package 2 Length	40 cm
Package 2 Weight	2.123 kg

## Offer Sustainability

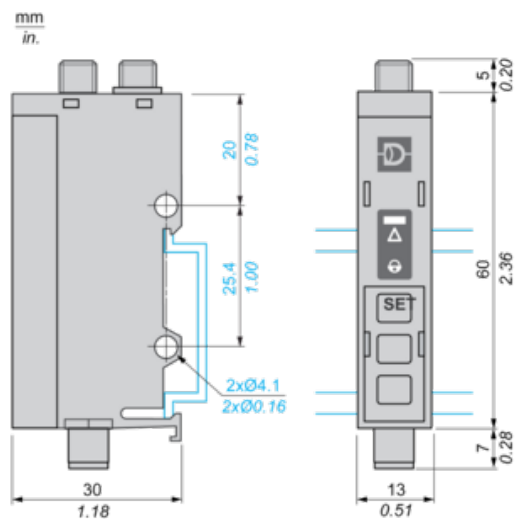
California proposition 65	WARNING: This product can expose you to chemicals including: Diisononyl phthalate (DINP), which is known to the State of California to cause cancer, and Di-isodecyl phthalate (DIDP), which is known to the State of California to cause birth defects or other reproductive harm. For more information go to <a href="http://www.P65Warnings.ca.gov">www.P65Warnings.ca.gov</a>
For all Reach Rohs enquiries contact us at	<a href="mailto:sustainability@tesensors.com">sustainability@tesensors.com</a>

## Contractual warranty

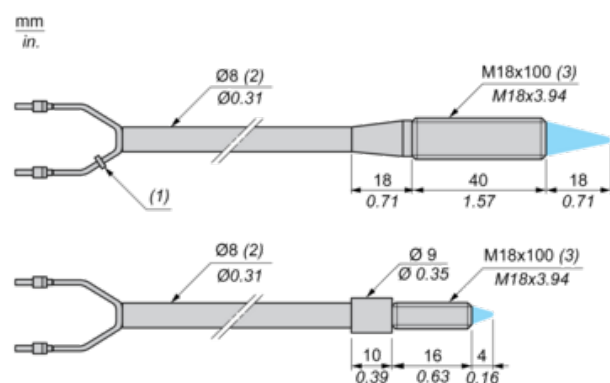
Warranty	18 months
----------	-----------

Dimensions

Sensors Dimensions



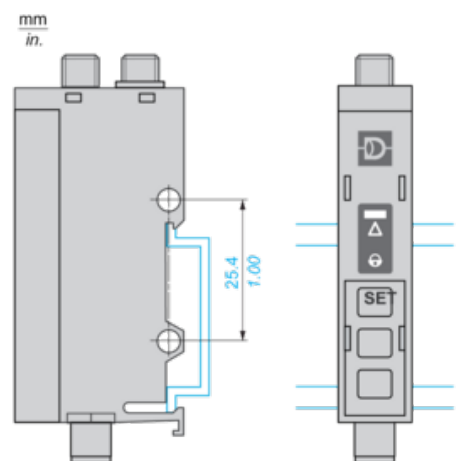
Fibres Dimensions (To be Ordered Separately)



- (1) The ring indicates that the fibre is transmitting
- (2) Bend radius: 15 mm
- (3) 2 nuts included with fibre optic

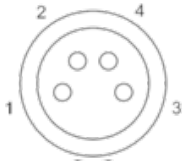
## Mounting and Clearance

Mounting on 35 mm rail

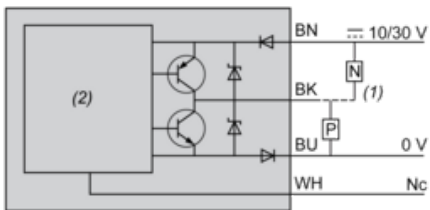


Wiring Schemes

Scheme



- 1 : Brown
- 2 : White
- 3 : Blue
- 4 : Black



- BN : Brown
- WH : White
- BU : Blue
- BK : Black

(1) High level on first shade "taught"  
NC : Not connected