

XUYAFLCO966S

Photoelectric sensors XU, XUY, ampli for fibre, illumination, 12...24 VDC, M8



Main

Range of product	Telemecanique Photoelectric sensors XU
Series name	Application assembly
Electronic sensor type	Photo-electric sensor
Product specific application	Verifying operation of indicator lights on electrical appliances Testing car headlights on production line
Sensor name	XUY
Sensor design	Fiber design
Material	Plastic
Detection system	Diffuse
[Sn] nominal sensing distance	0 mm depending on plastic fibres diameter 2.2 mm used
Wiring technique	4-wire
Type of output signal	Discrete

Complementary

Enclosure material	Polycarbonate
Output type	Solid state
Discrete output function	1 NO or 1 NC programmable
Electrical connection	1 male connector M8, 4 pins
Status LED	Output signal: 1 LED (green) Limit of detection: 1 LED (red) Time delay active: 1 LED (red)
Supply circuit type	DC
[Us] rated supply voltage	24 V DC with reverse polarity protection
Supply voltage limits	10...30 V DC
Voltage state 0 guaranteed	< 1.4 V
Voltage state 1 guaranteed	> 3 V
Switching capacity in mA	100 mA (overload and short-circuit protection)
Switching frequency	< 5 Hz
Maximum voltage drop	<2 V (closed state)
Current consumption	< 40 mA
Time delay range	0...5 s adjustment increments delay
Maximum delay response	100 ms
Maximum delay recovery	100 ms
Setting-up	With sensitivity adjustment
Net weight	0.054 kg

Environment

Product certifications	CE
Ambient air temperature for operation	0...60 °C
Ambient air temperature for storage	-20...80 °C
IP degree of protection	IP65 conforming to IEC 60529

The information provided in this documentation contains general descriptions and/or technical characteristics of the performance of the products contained herein. This documentation is not intended as a substitute for and is not to be used for determining suitability or reliability of these products for specific user applications. It is the duty of any such user or integrator to perform the appropriate and complete risk analysis, evaluation and testing of the products with respect to the relevant specific application or use thereof. Neither TWSS Holding nor any of its affiliates or subsidiaries shall be responsible or liable for misuse of the information contained herein.

Packing Units

Unit Type of Package 1	PCE
Number of Units in Package 1	1
Package 1 Height	3.500 cm
Package 1 Width	7.000 cm
Package 1 Length	13.000 cm
Package 1 Weight	50.000 g
Unit Type of Package 2	S01
Number of Units in Package 2	15
Package 2 Height	15 cm
Package 2 Width	15 cm
Package 2 Length	40 cm
Package 2 Weight	948.000 g

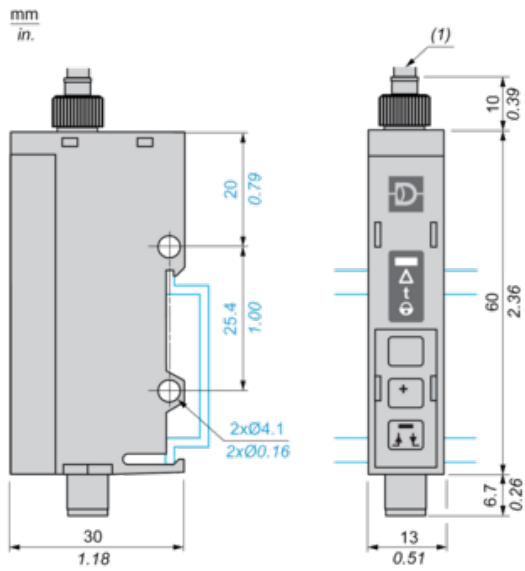
Offer Sustainability

California proposition 65	WARNING: This product can expose you to chemicals including: Diisononyl phthalate (DINP), which is known to the State of California to cause cancer, and Di-isodecyl phthalate (DIDP), which is known to the State of California to cause birth defects or other reproductive harm. For more information go to www.P65Warnings.ca.gov
For all Reach Rohs enquiries contact us at	sustainability@tesensors.com

Contractual warranty

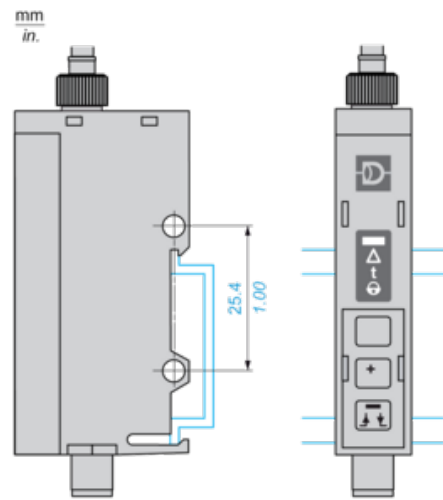
Warranty	18 months
----------	-----------

Dimensions



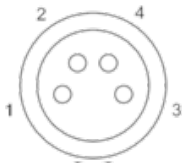
Mounting and Clearance

Mounting on 35 mm rail



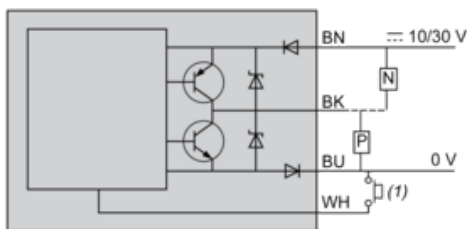
Wiring Schemes

M8 Connector



- 1 : Brown
- 2 : White
- 3 : Blue
- 4 : Black

Scheme



- BN : Brown
- WH : White
- BU : Blue
- BK : Black

(1) Remote teaching. If not used: connect to +