



### Main

Range of product	Telemecanique Safety light curtains XUSL
Accessory / separate part categor	Protection accessories
Accessory / separate part type	Protective screen
Product compatibility	XUSL.E...16
Accessory / separate part destination	Safety light curtain type 2 Safety light curtain type 4
Height	195 mm
Quantity per set	Set of 4

### Complementary

Material	Polycarbonate
Sensing distance reduction coefficient	0.97 Sn
Net weight	0.08 kg

### Environment

Resistance to chemical agents	Resistant aqueous solutions Resistant alkalis Resistant to inorganic diluted acids Resistant detergents and cleaners
Ambient air temperature for operation	-10...55 °C 14...131 °F
Ambient air temperature for storage	-25...70 °C -13...158 °F

### Packing Units

Unit Type of Package 1	PCE
Number of Units in Package 1	1
Package 1 Height	14.0 cm
Package 1 Width	20.0 cm
Package 1 Length	31.0 cm
Package 1 Weight	600.0 g

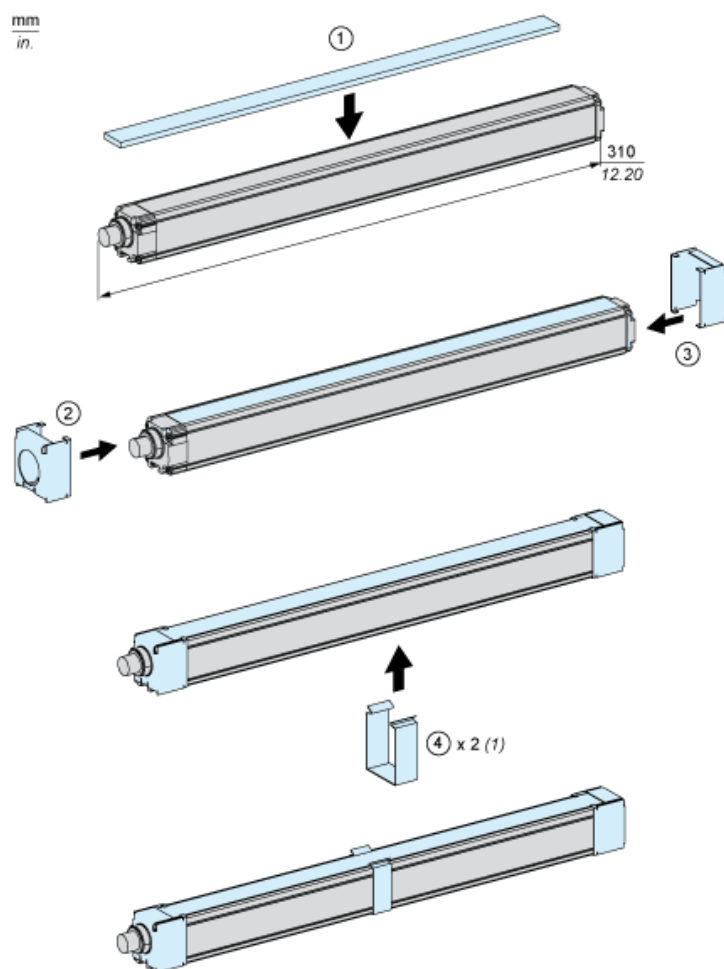
### Offer Sustainability

Sustainable offer status	Green Premium product
Toxic heavy metal free	Yes
California proposition 65	WARNING: This product can expose you to chemicals including: Diisononyl phthalate (DINP), which is known to the State of California to cause cancer, and Di-isodecyl phthalate (DIDP), which is known to the State of California to cause birth defects or other reproductive harm. For more information go to <a href="http://www.P65Warnings.ca.gov">www.P65Warnings.ca.gov</a>
For all Reach Rohs enquiries contact us at	<a href="mailto:sustainability@tesensors.com">sustainability@tesensors.com</a>

The information provided in this documentation contains general descriptions and/or technical characteristics of the performance of the products contained herein. This documentation is not intended as a substitute for and is not to be used for determining suitability or reliability of these products for specific user applications. It is the duty of any such user or integrator to perform the appropriate and complete risk analysis, evaluation and testing of the products with respect to the relevant specific application or use thereof. Neither TWSS Holding nor any of its affiliates or subsidiaries shall be responsible or liable for misuse of the information contained herein.

## Mounting and Clearance

### Various Stages in the Protective Screen Assembly



(1) Depending on the length