

XUSZPM5AXPL09

Multi beam muting sensors, Telemecanique
Safety light curtains XUSL, Multibeams for arm
A coding



Main

Range of product	Telemecanique Safety light curtains XUSL
Product or component type	Multi-beam muting sensors
Device short name	XUSZPM5
Output type	1 discrete solid-state PNP (NO)
[Sn] nominal sensing distance	0...3.5 m
Number of beams	5
Space between beams	10 mm

Complementary

Product compatibility	XUSL4M
Detection system	Through beam
Response time	< 100 ms
Kit composition	Transmitter + receiver quick start guide
Emission	IR LED 940 nm
[Us] rated supply voltage	24 V DC +/- 20 %
Supply	Via external supply
Current consumption	42 mA no load
Output voltage	24 V
Output circuit type	DC
Maximum voltage drop	<0.5 V
Switching capacity in mA	100 mA
Local signalling	1 green, orange and red LED receiver
Housing colour	Grey

Environment

Directives	98/37/EEC - machinery 89/336/EEC - electromagnetic compatibility
Product certifications	CE
Safety reliability data	PFHd = 2.73E-7 1/h
Ambient air temperature for operation	-30...55 °C
Ambient air temperature for storage	-30...70 °C
Relative humidity	0...95 % without condensation
IP degree of protection	IP65
Shock resistance	10 gn for 16 ms conforming to IEC 61496-1
Vibration resistance	0.35 +/- 0.05 mm (f= 10...55 Hz) conforming to IEC 61496-1

The information provided in this documentation contains general descriptions and/or technical characteristics of the performance of the products contained herein. This documentation is not intended as a substitute for and is not to be used for determining suitability or reliability of these products for specific user applications. It is the duty of any such user or integrator to perform the appropriate and complete risk analysis, evaluation and testing of the products with respect to the relevant specific application or use thereof. Neither TWSS Holding nor any of its affiliates or subsidiaries shall be responsible or liable for misuse of the information contained herein.

Packing Units

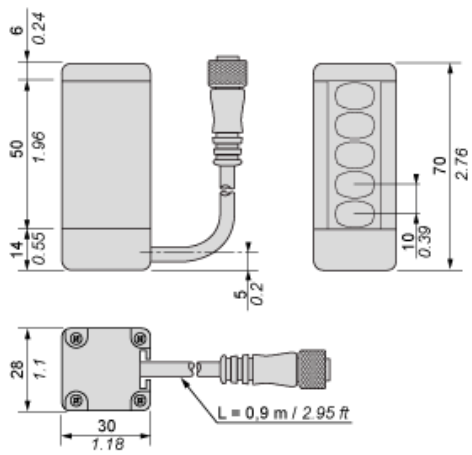
Unit Type of Package 1	PCE
Number of Units in Package 1	1
Package 1 Height	17.0 cm
Package 1 Width	6.5 cm
Package 1 Length	10.0 cm
Package 1 Weight	390.0 g

Offer Sustainability

Sustainable offer status	Green Premium product
Toxic heavy metal free	Yes
WEEE	The product must be disposed on European Union markets following specific waste collection and never end up in rubbish bins
California proposition 65	WARNING: This product can expose you to chemicals including: Diisononyl phthalate (DINP), which is known to the State of California to cause cancer, and Di-isodecyl phthalate (DIDP), which is known to the State of California to cause birth defects or other reproductive harm. For more information go to www.P65Warnings.ca.gov
For all Reach Rohs enquiries contact us at	sustainability@tesensors.com

Dimensions

mm
in.



mm
in.

