

# XUM5APSBM8

Photoelectric sensors XU, miniature, diffuse,  
Sn=700 mm, PNP, connector M8



## Main

Range of product	Telemecanique Photoelectric sensors XU
Series name	General purpose single mode
Electronic sensor type	Photo-electric sensor
Sensor name	XUM
Sensor design	Miniature
Detection system	Diffuse
Material	Plastic
Type of output signal	Discrete
Supply circuit type	DC
Wiring technique	3-wire
Discrete output type	PNP
Discrete output function	1 NO or 1 NC programmable
Electrical connection	1 male connector M8, 4 pins
Emission	Infrared diffuse
[Sn] nominal sensing distance	0.7 m

## Complementary

Enclosure material	PBT
Lens material	PMMA
Output type	Solid state
Status LED	Stability: 1 LED (green) Output state: 1 LED (yellow)
[Us] rated supply voltage	12...24 V DC with reverse polarity protection
Supply voltage limits	10...30 V DC
Switching capacity in mA	<= 100 mA with short-circuit protection
Switching frequency	<= 500 Hz
Maximum voltage drop	<2 V
Current consumption	30 mA no-load
Maximum delay first up	300 ms
Maximum delay response	1 ms
Setting-up	Sensitivity by potentiometer
Depth	19.5 mm
Height	31.5 mm
Width	10.8 mm
Net weight	0.010 kg

## Environment

Product certifications	UL[RETURN]CE
Ambient air temperature for operation	-25...55 °C
Ambient air temperature for storage	-40...70 °C
Vibration resistance	+/-0.5 mm (f = 10...55 Hz) for every axis conforming to IEC 60068-2-6
Shock resistance	30 gn for for every axis conforming to IEC 60068-2-27
IP degree of protection	IP67 conforming to IEC 60529 IP54 conforming to IEC 60529

The information provided in this documentation contains general descriptions and/or technical characteristics of the performance of the products contained herein. This documentation is not intended as a substitute for and is not to be used for determining suitability or reliability of these products for specific user applications. It is the duty of any such user or integrator to perform the appropriate and complete risk analysis, evaluation and testing of the products with respect to the relevant specific application or use thereof. Neither TWSS Holding nor any of its affiliates or subsidiaries shall be responsible or liable for misuse of the information contained herein.

## Packing Units

Unit Type of Package 1	PCE
Number of Units in Package 1	1
Package 1 Height	2 cm
Package 1 Width	8.5 cm
Package 1 Length	9 cm
Package 1 Weight	17 g
Unit Type of Package 2	S02
Number of Units in Package 2	100
Package 2 Height	15 cm
Package 2 Width	30 cm
Package 2 Length	40 cm
Package 2 Weight	2.058 kg

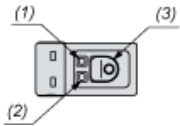
## Offer Sustainability

Toxic heavy metal free	Yes
California proposition 65	WARNING: This product can expose you to chemicals including: Diisononyl phthalate (DINP), which is known to the State of California to cause cancer, and Di-isodecyl phthalate (DIDP), which is known to the State of California to cause birth defects or other reproductive harm. For more information go to <a href="http://www.P65Warnings.ca.gov">www.P65Warnings.ca.gov</a>
For all Reach Rohs enquiries contact us at	<a href="mailto:sustainability@tesensors.com">sustainability@tesensors.com</a>

Dimensions

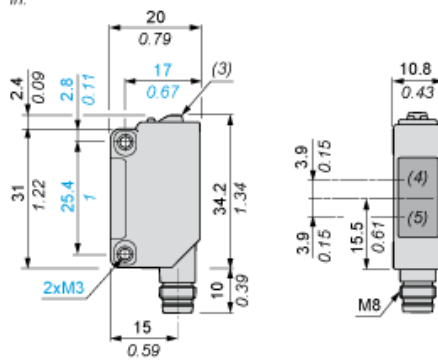
Connector Version

Description



Dimensions

mm  
in.



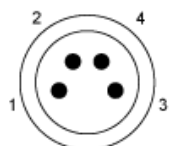
- (1) Output indicator (orange)
- (2) Stability indicator (green)
- (3) Setting pushbutton
- (4) Reception
- (5) Transmission

---

## Connections and Schema

---

### M8 Connector



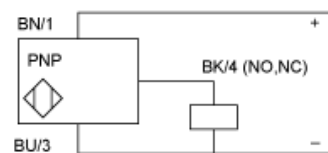
- 3 : (-)
- 1 : (+)
- 4 : OUT/Output

---

## Connections and Schema

---

### PNP



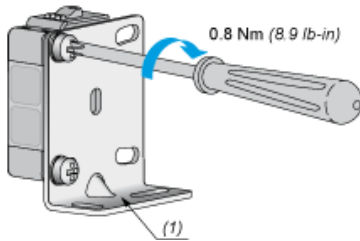
- BN : Brown
- BU : Blue
- BK : Black

---

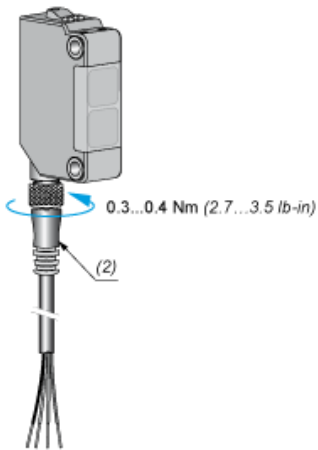
## Mounting and Clearance

---

### Tightening Torques



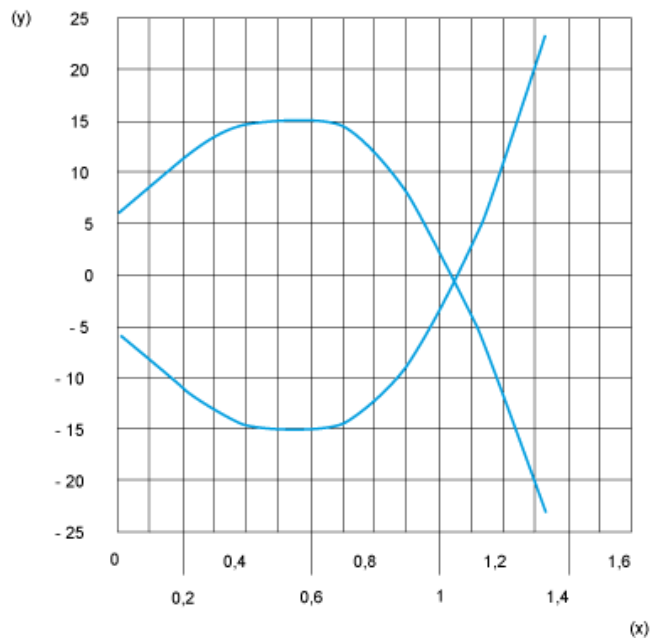
(1) Base mounting fixing bracket



(2) Pre-wired M8 connector

## Performance Curves

### Diffuse System



(y) Detection area in mm  
(x) Distance in m