

XUM5APSBL2

Photoelectric sensors XU, miniature, diffuse,
Sn=700 mm, PNP, cable 2 m



Main

Range of product	Telemecanique Photoelectric sensors XU
Series name	General purpose single mode
Electronic sensor type	Photo-electric sensor
Sensor name	XUM
Sensor design	Miniature
Detection system	Diffuse
Material	Plastic
Type of output signal	Discrete
Supply circuit type	DC
Wiring technique	3-wire
Discrete output type	PNP
Discrete output function	1 NO or 1 NC programmable
Electrical connection	Cable
Cable length	2 m
Emission	Infrared diffuse
[Sn] nominal sensing distance	0.7 m

Complementary

Enclosure material	PBT
Lens material	PMMA
Output type	Solid state
Wire insulation material	PVC
Status LED	Stability: 1 LED (green) Output state: 1 LED (yellow)
[Us] rated supply voltage	12...24 V DC with reverse polarity protection
Supply voltage limits	10...30 V DC
Switching capacity in mA	<= 100 mA with short-circuit protection
Switching frequency	<= 500 Hz
Maximum voltage drop	<2 V
Current consumption	30 mA no-load
Maximum delay first up	300 ms
Maximum delay response	1 ms
Setting-up	Sensitivity by potentiometer
Depth	19.5 mm
Height	31.5 mm
Width	10.8 mm
Net weight	0.050 kg

Environment

Product certifications	UL[RETURN]CE
Ambient air temperature for operation	-25...55 °C
Ambient air temperature for storage	-40...70 °C
Vibration resistance	+/-0.5 mm (f = 10...55 Hz) for every axis conforming to IEC 60068-2-6
Shock resistance	30 gn for for every axis conforming to IEC 60068-2-27
IP degree of protection	IP67 conforming to IEC 60529 IP54 conforming to IEC 60529

Packing Units

Unit Type of Package 1	PCE
Number of Units in Package 1	1
Package 1 Height	2 cm
Package 1 Width	10.5 cm
Package 1 Length	10.5 cm
Package 1 Weight	54 g
Unit Type of Package 2	S02
Number of Units in Package 2	60
Package 2 Height	15 cm
Package 2 Width	30 cm
Package 2 Length	40 cm
Package 2 Weight	3.608 kg

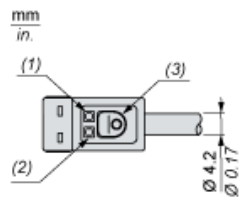
Offer Sustainability

Toxic heavy metal free	Yes
California proposition 65	WARNING: This product can expose you to chemicals including: Diisononyl phthalate (DINP), which is known to the State of California to cause cancer, and Diisodecyl phthalate (DIDP), which is known to the State of California to cause birth defects or other reproductive harm. For more information go to www.P65Warnings.ca.gov
For all Reach Rohs enquiries contact us at	sustainability@tesensors.com

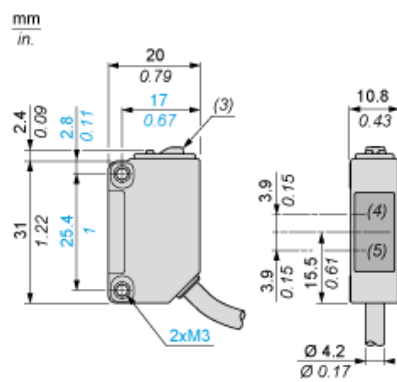
Dimensions

Pre-cable Version

Description



Dimensions



- (1) Output indicator (orange)
- (2) Stability indicator (green)
- (3) Setting pushbutton
- (4) Reception
- (5) Transmission

Connections and Schema

Pre-cabled

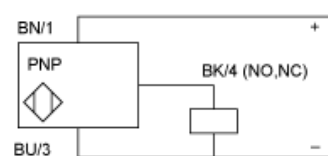
(-) : BU (Blue)

(+) : BN (Brown)

OUT/Output : BK (Black)

Connections and Schema

PNP



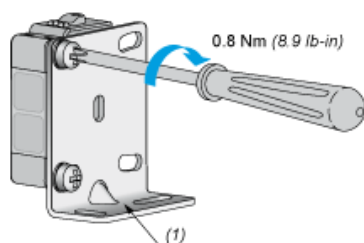
BN : Brown

BU : Blue

BK : Black

Mounting and Clearance

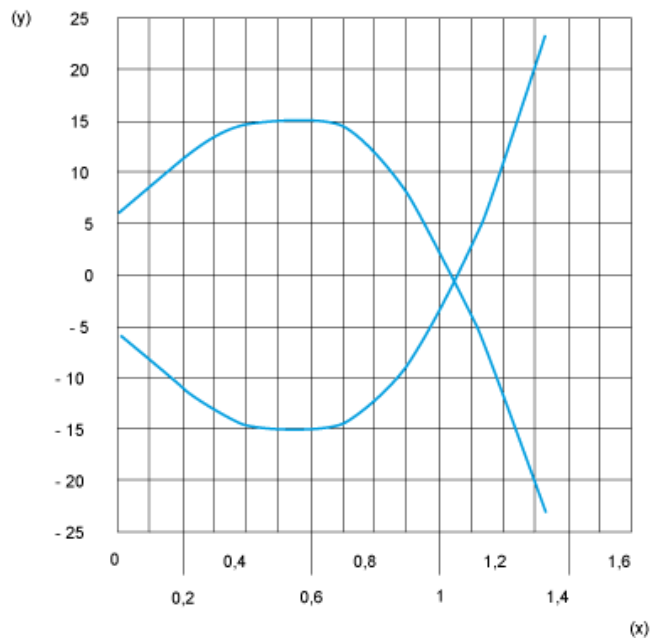
Tightening Torque



(1) Base mounting fixing bracket

Performance Curves

Diffuse System



(y) Detection area in mm
(x) Distance in m