

# XUM4APSBL2

Photoelectric sensors XU, miniature, diffuse,  
Sn=100 mm, PNP, cable 2 m



## Main

Range of product	Telemecanique Photoelectric sensors XU
Series name	General purpose single mode
Electronic sensor type	Photo-electric sensor
Sensor name	XUM
Sensor design	Miniature
Detection system	Diffuse
Material	Plastic
Type of output signal	Discrete
Supply circuit type	DC
Wiring technique	3-wire
Discrete output type	PNP
Discrete output function	1 NO or 1 NC programmable
Electrical connection	Cable
Cable length	2 m
Emission	Infrared diffuse
[Sn] nominal sensing distance	0.1 m

## Complementary

Enclosure material	PBT
Lens material	Modified polyarylate
Output type	Solid state
Wire insulation material	PVC
Status LED	Stability: 1 LED (green) Output state: 1 LED (orange)
[Us] rated supply voltage	12...24 V DC with reverse polarity protection
Supply voltage limits	10.2...26.4 V DC
Switching capacity in mA	<= 100 mA with overload and short-circuit protection
Switching frequency	<= 500 Hz
Maximum voltage drop	<2 V
Current consumption	17 mA no-load
Maximum delay first up	100 ms
Maximum delay response	1 ms
Maximum delay recovery	1 ms
Setting-up	Sensitivity adjustment by pushbutton
Depth	20 mm
Height	34 mm
Width	11 mm
Net weight	0.063 kg

The information provided in this documentation contains general descriptions and/or technical characteristics of the performance of the products contained herein. This documentation is not intended as a substitute for and is not to be used for determining suitability or reliability of these products for specific user applications. It is the duty of any such user or integrator to perform the appropriate and complete risk analysis, evaluation and testing of the products with respect to the relevant specific application or use thereof. Neither TWSS Holding nor any of its affiliates or subsidiaries shall be responsible or liable for misuse of the information contained herein.

## Environment

Product certifications	CE[RETURN]RCM[RETURN]UL
Ambient air temperature for operation	-30...55 °C
Ambient air temperature for storage	-40...70 °C
Vibration resistance	+/- 1.5 mm (f = 10...55 Hz)2 hours in each direction X, Y and Z conforming to IEC 60068-2-6
Shock resistance	500 m/s <sup>2</sup> for X, Y, Z directions for 10 cycles (approx. 100 min) conforming to IEC 60068-2-27
IP degree of protection	IP67 conforming to IEC 60529

## Packing Units

Unit Type of Package 1	PCE
Number of Units in Package 1	1
Package 1 Height	16 cm
Package 1 Width	2 cm
Package 1 Length	11 cm
Package 1 Weight	63 g
Unit Type of Package 2	S01
Number of Units in Package 2	30
Package 2 Height	15 cm
Package 2 Width	15 cm
Package 2 Length	40 cm
Package 2 Weight	1920 g

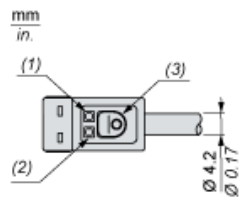
## Offer Sustainability

California proposition 65	WARNING: This product can expose you to chemicals including: Diisononyl phthalate (DINP), which is known to the State of California to cause cancer, and Di-isodecyl phthalate (DIDP), which is known to the State of California to cause birth defects or other reproductive harm. For more information go to <a href="http://www.P65Warnings.ca.gov">www.P65Warnings.ca.gov</a>
For all Reach Rohs enquiries contact us at	<a href="mailto:sustainability@tesensors.com">sustainability@tesensors.com</a>

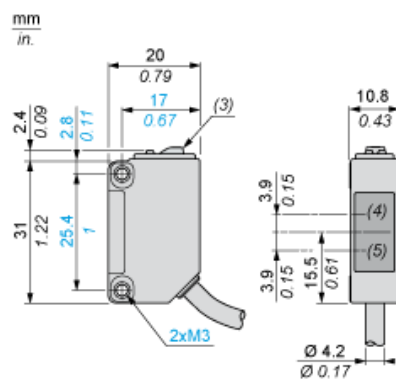
Dimensions

Pre-cable Version

Description



Dimensions



- (1) Output indicator (orange)
- (2) Stability indicator (green)
- (3) Setting pushbutton
- (4) Reception
- (5) Transmission

---

## Connections and Schema

---

### Pre-cabled

(-) : BU (Blue)

(+) : BN (Brown)

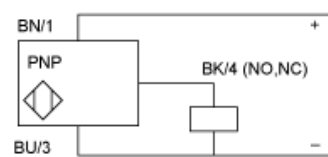
OUT/Output : BK (Black)

---

## Connections and Schema

---

### PNP



BN : Brown

BU : Blue

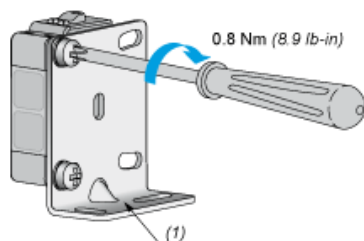
BK : Black

---

## Mounting and Clearance

---

### Tightening Torque



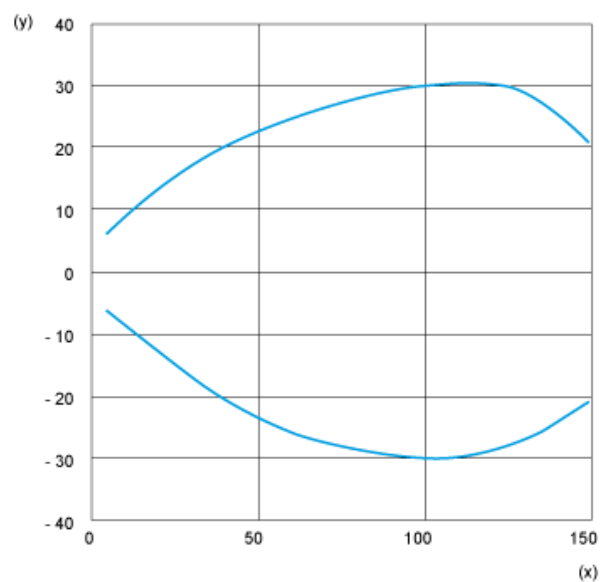
(1) Base mounting fixing bracket

---

## Performance Curves

---

### Diffuse System



(y) Detection area in mm  
(x) Distance in mm