

XUM2APSBL2R

Photoelectric sensors XU, miniature, thru beam, Sn=15 m, receiver, PNP, connector M8



Main

Range of product	Telemecanique Photoelectric sensors XU
Series name	General purpose single mode
Electronic sensor type	Photo-electric sensor receiver
Sensor name	XUM
Sensor design	Miniature
Detection system	Thru beam
Material	Plastic
Type of output signal	Discrete
Supply circuit type	DC
Wiring technique	3-wire
Discrete output type	PNP
Discrete output function	1 NO or 1 NC programmable
Electrical connection	Cable
Cable length	2 m
[Sn] nominal sensing distance	15 m need a transmitter XUM2AKSBL2T

Complementary

Enclosure material	PBT
Lens material	Modified polyarylate
Output type	Solid state
Wire insulation material	PVC
Status LED	Stability: 1 LED (green) Output: 1 LED (orange)
[Us] rated supply voltage	12...24 V DC with reverse polarity protection
Supply voltage limits	10.2...26.4 V DC
Switching capacity in mA	<= 100 mA with overload and short-circuit protection
Switching frequency	<= 500 Hz
Maximum voltage drop	<2 V
Current consumption	13 mA no-load
Maximum delay first up	100 ms
Maximum delay response	1 ms
Maximum delay recovery	1 ms
Setting-up	Sensitivity adjustment by pushbutton
Depth	20 mm
Height	34 mm
Width	11 mm
Net weight	0.063 kg

Environment

Product certifications	RCM[RETURN]CE[RETURN]UL
Ambient air temperature for operation	-30...55 °C
Ambient air temperature for storage	-40...70 °C
Vibration resistance	+/- 1.5 mm (f = 10...55 Hz)2 hours in each direction X, Y and Z conforming to IEC 60068-2-6
Shock resistance	500 m/s ² for X, Y, Z directions for 10 cycles (approx. 100 min) conforming to IEC 60068-2-27
IP degree of protection	IP67 conforming to IEC 60529

Packing Units

Unit Type of Package 1	PCE
Number of Units in Package 1	1
Package 1 Height	16.0 cm
Package 1 Width	2.0 cm
Package 1 Length	11.0 cm
Package 1 Weight	63.0 g
Unit Type of Package 2	BB1
Number of Units in Package 2	1
Package 2 Height	20.0 cm
Package 2 Width	0.1 cm
Package 2 Length	15.0 cm
Package 2 Weight	63.0 g
Unit Type of Package 3	S01
Number of Units in Package 3	30
Package 3 Height	15.0 cm
Package 3 Width	15.0 cm
Package 3 Length	40.0 cm
Package 3 Weight	2.282 kg

Offer Sustainability

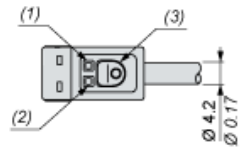
California proposition 65	WARNING: This product can expose you to chemicals including: Diisononyl phthalate (DINP), which is known to the State of California to cause cancer, and Di-isodecyl phthalate (DIDP), which is known to the State of California to cause birth defects or other reproductive harm. For more information go to www.P65Warnings.ca.gov
For all Reach Rohs enquiries contact us at	sustainability@tesensors.com

Dimensions

Receiver. Pre-cable Version

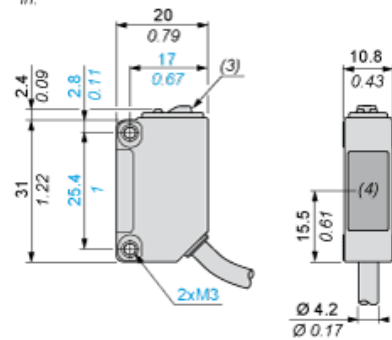
Description

mm
in.



Dimensions

mm
in.



- (1) Output indicator (orange)
- (2) Stability indicator (green)
- (3) Setting pushbutton
- (4) Reception

Connections and Schema

Pre-cabled

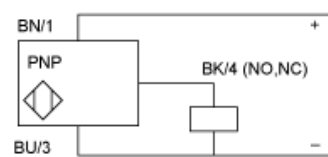
(-) : BU (Blue)

(+) : BN (Brown)

OUT/Output : BK (Black)

Connections and Schema

PNP



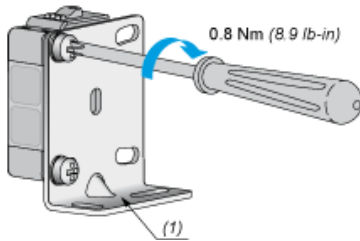
BN : Brown

BU : Blue

BK : Black

Mounting and Clearance

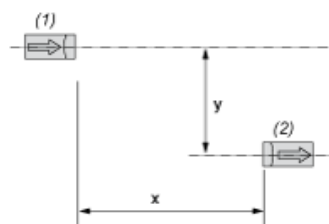
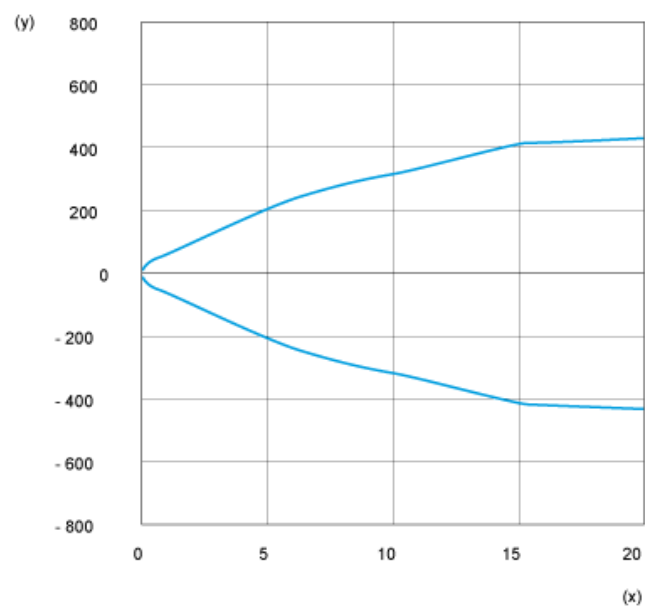
Tightening Torque



(1) Base mounting fixing bracket

Performance Curves

Thru-beam System



- (1) Transmitter
- (2) Receiver
- (y) Parallel movement in mm
- (x) Distance in m