

XUK9SPSMM12

photo-electric sensor - XUKS - reflex polarised
- Sn 6m - 10..30VDC - M12



Main

Range of product	Telemecanique Photoelectric sensors XU
Series name	Application food and beverage single mode
Electronic sensor type	Photo-electric sensor
Sensor name	XUK
Sensor design	Compact 50 x 50
Detection system	Polarised reflex
Material	Stainless steel
Type of output signal	Discrete
Supply circuit type	DC
Wiring technique	4-wire
Discrete output type	PNP
Discrete output function	1 NO
Electrical connection	1 male connector M12, 4 pins
Product specific application	-
Emission	Red polarised reflex
[Sn] nominal sensing distance	6 m polarised reflex need reflector XUZC50

Complementary

Enclosure material	Stainless steel 316
Lens material	PMMA
Maximum sensing distance	13 m polarised reflex need reflector XUZC100
Output type	Solid state
Output function governance	Light or dark programmable
Add on output	With alarm output
Add on input	External teach
Status LED	1 LED (yellow) for output state 1 LED (red) for operation
[Us] rated supply voltage	12...24 V DC with reverse polarity protection
Supply voltage limits	10...30 V DC
Switching capacity in mA	<= 100 mA (overload and short-circuit protection)
Switching frequency	<= 1.5 kHz
Maximum voltage drop	<2 V (closed state)
Current consumption	<= 35 mA no-load
Maximum delay first up	80 ms
Maximum delay response	0.3 ms
Maximum delay recovery	0.3 ms
Setting-up	Self-teaching
Depth	50 mm
Height	50 mm
Width	18 mm
Net weight	0.28 kg

The information provided in this documentation contains general descriptions and/or technical characteristics of the performance of the products contained herein. This documentation is not intended as a substitute for and is not to be used for determining suitability or reliability of these products for specific user applications. It is the duty of any such user or integrator to perform the appropriate and complete risk analysis, evaluation and testing of the products with respect to the relevant specific application or use thereof. Neither TWSS Holding nor any of its affiliates or subsidiaries shall be responsible or liable for misuse of the information contained herein.

Environment

Product certifications	CE[RETURN]UL[RETURN]CSA
Ambient air temperature for operation	-25...55 °C
Ambient air temperature for storage	-30...70 °C
Vibration resistance	7 gn (f = 10...55 Hz) conforming to IEC 60068-2-6
Shock resistance	10 gn (duration = 11 ms) conforming to IEC 60068-2-27
IP degree of protection	IP67 conforming to IEC 60529 IP69K conforming to DIN 40050

Packing Units

Unit Type of Package 1	PCE
Number of Units in Package 1	1
Package 1 Height	2.5 cm
Package 1 Width	6 cm
Package 1 Length	9 cm
Package 1 Weight	154 g

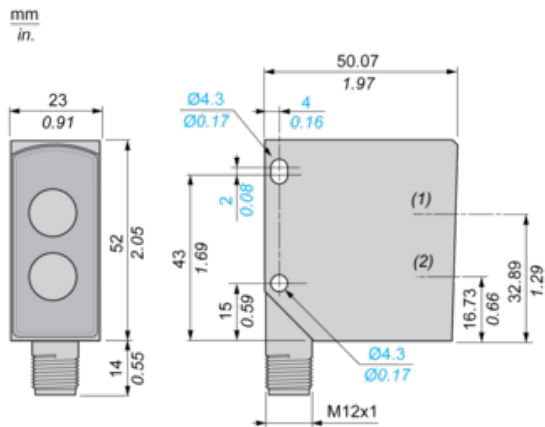
Offer Sustainability

California proposition 65	WARNING: This product can expose you to chemicals including: Diisononyl phthalate (DINP), which is known to the State of California to cause cancer, and Di-isodecyl phthalate (DIDP), which is known to the State of California to cause birth defects or other reproductive harm. For more information go to www.P65Warnings.ca.gov
For all Reach Rohs enquiries contact us at	sustainability@tesensors.com

Contractual warranty

Warranty	18 months
----------	-----------

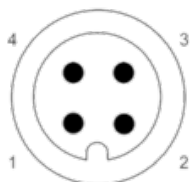
Dimensions



- (1) Receiver optical axis
- (2) Transmitter optical axis

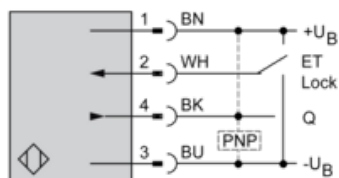
Wiring Schemes

M12 Connector



- 1 : (+)
- 2 : ET/Lock. ET: External Teach, Lock: pushbutton locking.
- 3 : (-)
- 4 : Output

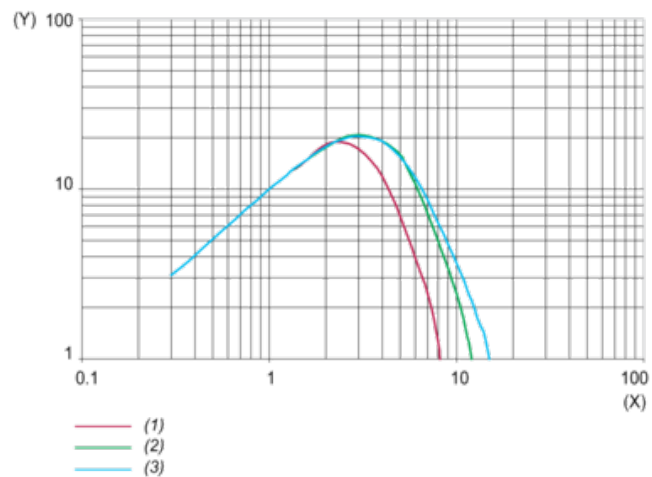
PNP Receiver



- BN : Brown
- WH : White
- BU : Blue
- BK : Black

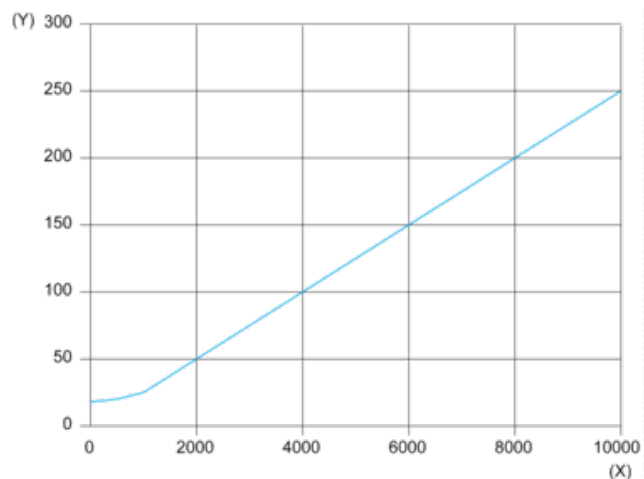
Detection Curves

Excess Gain Curve



- (y) Gain
- (x) Distance (m)
- (1) XUZC50
- (2) XUZC80
- (3) XUZC100

Size of Luminous Point



- (y) Size (mm)
- (x) Distance (mm)