

XT7C40NC440

Capacitive proximity sensors XT, 40 x 40 x 117, plastic, Sn 15 mm, 12..48 V DC



Main

Range of product	Telemecanique Capacitive proximity sensors XT
Sensor type	Capacitive proximity sensor
Product specific application	Detection of insulated or conductive materials
Sensor name	XT7
Sensor design	Form 40 x 40 x 117
Size	117 mm
Body type	Plug-in body
Detector flush mounting acceptance	Flush mountable
Material	Plastic
Enclosure material	Plastic
Type of output signal	Discrete
Wiring technique	4-wire
[Sn] nominal sensing distance	15 mm
Discrete output function	1 NC + 1 NO
Output circuit type	DC
Discrete output type	NPN
Electrical connection	Screw clamp terminal, 4 x 1.5 mm ²
[Us] rated supply voltage	12...48 V DC
Maximum delay response	5 ms
IP degree of protection	IP67 conforming to IEC 60529

Complementary

Detection face	5 positions turret head
Differential travel	< 0.2 x Sr
Repeat accuracy	< 0.1 x Sr
Cable entry	1 entry tapped for Pg 13.5 cable gland
Status LED	Supply state indication: 1 LED (green) Output state indication: 1 LED (yellow)
Supply voltage limits	10...58 V DC
Protection type	Short-circuit protection
Switching frequency	<= 100 Hz
Maximum voltage drop	<2 V (closed)
Current consumption	<= 10 mA
Maximum delay first up	30 ms
Maximum delay recovery	5 ms
Maximum switching current	200 mA
Marking	CE
Setting-up	Sensitivity by potentiometer
Depth	40 mm
Height	117 mm
Width	40 mm
Net weight	0.22 kg

The information provided in this documentation contains general descriptions and/or technical characteristics of the performance of the products contained herein. This documentation is not intended as a substitute for and is not to be used for determining suitability or reliability of these products for specific user applications. It is the duty of any such user or integrator to perform the appropriate and complete risk analysis, evaluation and testing of the products with respect to the relevant specific application or use thereof. Neither TWSS Holding nor any of its affiliates or subsidiaries shall be responsible or liable for misuse of the information contained herein.

Environment

Product certifications	UL[RETURN]CSA
Ambient air temperature for operation	-25...70 °C

Packing Units

Unit Type of Package 1	PCE
Number of Units in Package 1	1
Package 1 Height	5 cm
Package 1 Width	14.5 cm
Package 1 Length	4.9 cm
Package 1 Weight	228 g

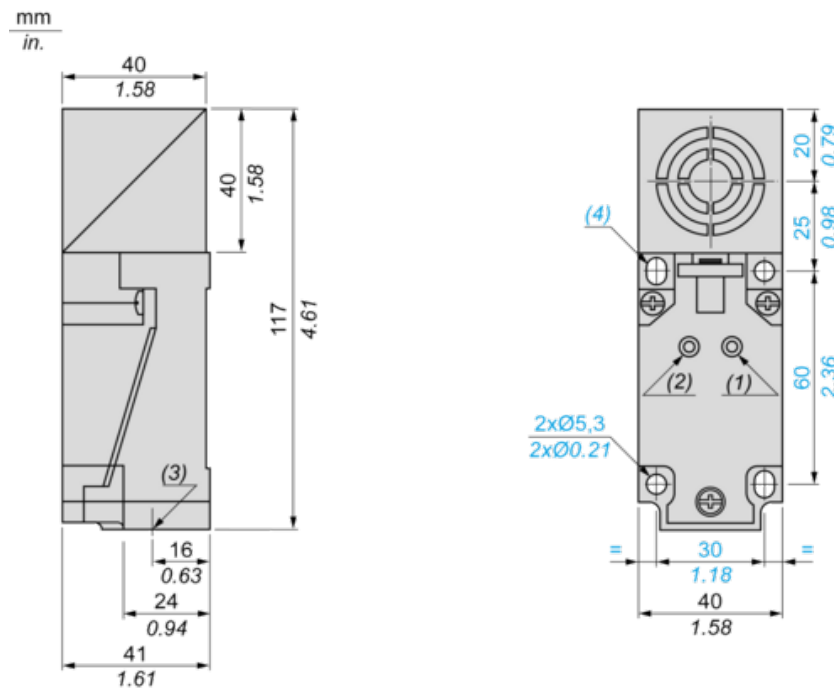
Offer Sustainability

California proposition 65	WARNING: This product can expose you to chemicals including: Diisononyl phthalate (DINP), which is known to the State of California to cause cancer, and Di-isodecyl phthalate (DIDP), which is known to the State of California to cause birth defects or other reproductive harm. For more information go to www.P65Warnings.ca.gov
For all Reach Rohs enquiries contact us at	sustainability@tesensors.com

Contractual warranty

Warranty	18 months
----------	-----------

Dimensions

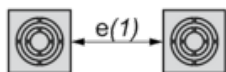


- (1) Output LED
- (2) Supply LED
- (3) 1 tapped entry for 13P cable gland
- (4) 2 elongated holes Ø 5.3 x 7

Setting-up

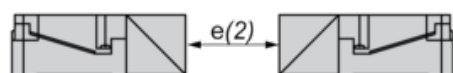
Minimum Mounting Distances (mm)

Side by side



$e(1) \geq 40$

Face to face



$e(2) \geq 120$

Wiring Diagram

3-wire DC NO + NC Output

