



#### Main

Accessory / separate part designation	Clip-on 90° fixing bracket
Accessory / separate part destination	Flat form 40 x 40 x 15 sensor Flat form 40 x 40 x 15 tag Flat form 40 x 40 x 15 station
Accessory / separate part categor	Mounting and fixing accessories
Accessory / separate part type	Fixing bracket
Product compatibility	XS flat form 40 x 40 x 15 XG flat form 40 x 40 x 15
Quantity per set	Set of 1
Additional information	Mounting possible without clip on tapped hole

#### Complementary

Net weight	0.06 kg
------------	---------

#### Packing Units

Unit Type of Package 1	PCE
Number of Units in Package 1	1

#### Offer Sustainability

Sustainable offer status	Green Premium product
Circularity Profile	End of Life Information
California proposition 65	WARNING: This product can expose you to chemicals including: Diisononyl phthalate (DINP), which is known to the State of California to cause cancer, and Di-isodecyl phthalate (DIDP), which is known to the State of California to cause birth defects or other reproductive harm. For more information go to <a href="http://www.P65Warnings.ca.gov">www.P65Warnings.ca.gov</a>
For all Reach Rohs enquiries contact us at	<a href="mailto:sustainability@tesensors.com">sustainability@tesensors.com</a>

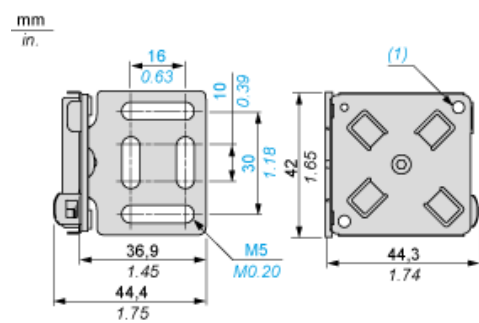
#### Contractual warranty

Warranty	18 months
----------	-----------

The information provided in this documentation contains general descriptions and/or technical characteristics of the products contained herein. This documentation is not intended as a substitute for and is not to be used for determining suitability or reliability of these products for specific user applications. It is the duty of any such user or integrator to perform the appropriate and complete risk analysis, evaluation and testing of the products with respect to the relevant specific application or use thereof. Neither TWSS Holding nor any of its affiliates or subsidiaries shall be responsible or liable for misuse of the information contained herein.

## Dimensions

### Mounting Brackets



(1) 4 screws M4 x 14