

# XSAV11373L10

Inductive proximity sensors XS, Rotation monitoring, M30, Sn10mm, 6...150c/mn, 12...48 VDC, cable 10 m



## Main

|                                    |  |
|------------------------------------|--|
| Range of product                   | Telemecanique Inductive proximity sensors XS         |
| Series name                        | Application  |
| Product or component type          | Sensor   |
| Sensor type                        | Inductive proximity sensor                           |
| Device application                 | Rotation monitoring                                  |
| Sensor name                        | XSA  |
| Sensor design                      | Cylindrical M30                                      |
| Size                               | 81 mm  |
| Body type                          | Fixed  |
| Detector flush mounting acceptance | Flush mountable                                      |
| Material                           | Metal  |
| Enclosure material                 | Nickel plated brass                                  |
| Type of output signal              | Discrete   |
| Wiring technique                   | 3-wire   |
| [Sn] nominal sensing distance      | 10 mm  |
| Discrete output function           | 1 NC   |
| Output circuit type                | DC   |
| Discrete output type               | PNP  |
| Electrical connection              | Cable  |
| Cable length                       | 10 m   |
| [Us] rated supply voltage          | 12...48 V DC with reverse polarity protection        |
| Switching capacity in mA           | <= 200 mA with overload and short-circuit protection |
| IP degree of protection            | IP67 conforming to IEC 60529                         |

## Complementary

|                            |                           |
|----------------------------|---------------------------|
| Thread type                | M30 x 1.5                 |
| Detection face             | Frontal                   |
| Front material             | PPS                       |
| Sensing range              | > 8...15 mm               |
| Adjustable frequency range | 6...150 cyc/mn            |
| Operating zone             | 0...8 mm                  |
| Differential travel        | 3...15% of Fr             |
| Repeat accuracy            | 3% of Sr                  |
| Cable composition          | 3 x 0.34 mm <sup>2</sup>  |
| Wire insulation material   | PVC                       |
| Status LED                 | Output state: 1 LED (red) |
| Supply voltage limits      | 10...58 V DC              |
| Switching frequency        | <= 100 Hz                 |
| Maximum voltage drop       | <1.8 V (closed)           |
| Current consumption        | 0...15 mA no-load         |
| Run-up delay at power-up   | 9 s standard              |
| Marking                    | CE                        |

|                 |        |
|-----------------|--------|
| Threaded length | 67 mm  |
| Length          | 81 mm  |
| Net weight      | 0.3 kg |

## Environment

|                                       |                          |
|---------------------------------------|--------------------------|
| Product certifications                | CCC[RETURN]CSA[RETURN]UL |
| Ambient air temperature for operation | -25...70 °C              |
| Ambient air temperature for storage   | -40...85 °C              |

## Packing Units

|                              |          |
|------------------------------|----------|
| Unit Type of Package 1       | PCE      |
| Number of Units in Package 1 | 1        |
| Package 1 Height             | 7.0 cm   |
| Package 1 Width              | 9.5 cm   |
| Package 1 Length             | 13.0 cm  |
| Package 1 Weight             | 521.0 g  |
| Unit Type of Package 2       | S02      |
| Number of Units in Package 2 | 14       |
| Package 2 Height             | 15.0 cm  |
| Package 2 Width              | 30.0 cm  |
| Package 2 Length             | 40.0 cm  |
| Package 2 Weight             | 7.749 kg |

## Offer Sustainability

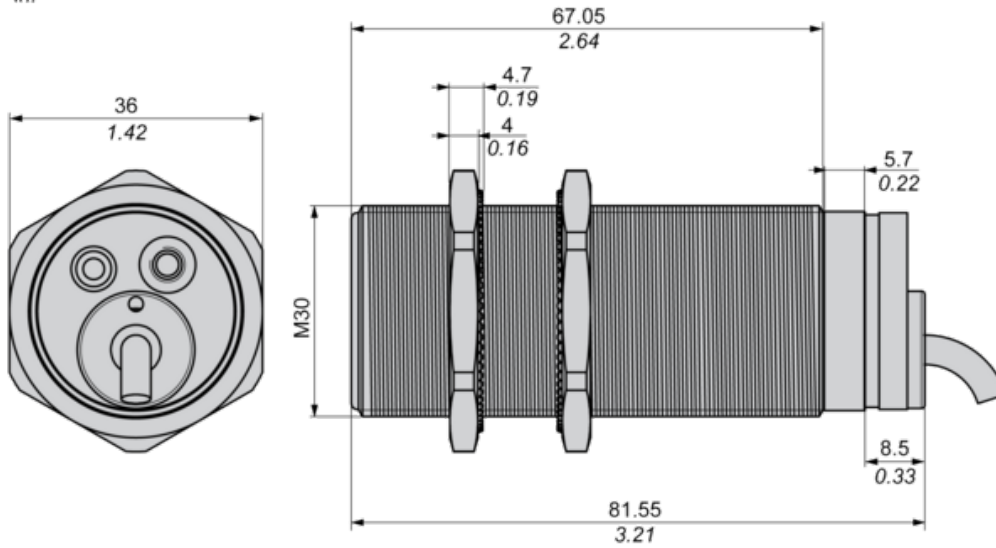
|  |   |
|--|---|
| Sustainable offer status                   | Green Premium product   |
| Circularity Profile                        | <a href="#">End of Life Information</a>   |
| California proposition 65                  | WARNING: This product can expose you to chemicals including: Diisononyl phthalate (DINP), which is known to the State of California to cause cancer, and Di-isodecyl phthalate (DIDP), which is known to the State of California to cause birth defects or other reproductive harm. For more information go to <a href="http://www.P65Warnings.ca.gov">www.P65Warnings.ca.gov</a> |
| For all Reach Rohs enquiries contact us at | <a href="mailto:sustainability@tesensors.com">sustainability@tesensors.com</a>  |

## Contractual warranty

|          |           |
|----------|-----------|
| Warranty | 18 months |
|----------|-----------|

Dimensions

mm  
in.



(1) LED

---

Minimum Mounting Distances

---

Side by side



$e (1) \geq 20 \text{ mm}/0.79 \text{ in}$

Face to face



$e (2) \geq 120 \text{ mm}/4.72 \text{ in}$

Facing a metal object



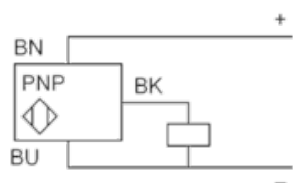
$e (3) \geq 30 \text{ mm}/1.18 \text{ in.}$

---

## Wiring Schemes

---

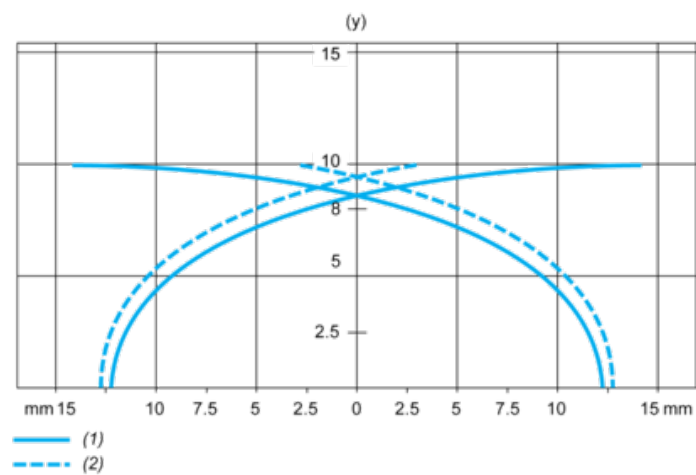
3-wire DC



BU : Blue  
BN : Brown  
BK : Black

## Performance Curves

Standard Steel Target : 30x30x1 mm



(1) Pick-up points

(2) Drop-out points (object approaching from the side)

(y) Sensing distance in mm