

# XS9C111A2L5

inductive sensor XS9 40x40x15 - PBT -  
Sn15mm - 24VDC - cable 5m



## Main

|                                    |  |
|------------------------------------|--|
| Range of product                   | Telemecanique Inductive proximity sensors XS   |
| Series name                        | Application                                    |
| Sensor type                        | Inductive proximity sensor                     |
| Device application                 | -  |
| Sensor name                        | XS9  |
| Sensor design                      | Flat form 40 x 40 x 15                         |
| Size                               | 15 mm  |
| Body type                          | Fixed  |
| Detector flush mounting acceptance | Flush mountable                                |
| Material                           | Plastic  |
| Enclosure material                 | PBT  |
| Type of output signal              | Analogue                                       |
| Wiring technique                   | 2-wire   |
| [Sn] nominal sensing distance      | 15 mm  |
| Output circuit type                | DC   |
| Analogue output range              | 4...20 mA                                      |
| Electrical connection              | Cable  |
| Cable length                       | 5 m  |
| [Us] rated supply voltage          | 24 V DC  |
| IP degree of protection            | IP68 double insulation conforming to IEC 60529 |

## Complementary

|                              |                          |
|------------------------------|--------------------------|
| Detection face               | Frontal                  |
| Front material               | PBT                      |
| Operating zone               | 2...15 mm                |
| Repeat accuracy              | <= 3% of Sr              |
| Linearity error              | +/- 2 mA                 |
| Cable composition            | 3 x 0.34 mm <sup>2</sup> |
| Wire insulation material     | PVC                      |
| Status LED                   | Without                  |
| Supply voltage limits        | 15...36 V DC             |
| Switching frequency          | <= 1000 Hz               |
| Current consumption          | 0...4 mA no-load         |
| Maximum output current drift | 10 %                     |
| Marking                      | CE                       |
| Depth                        | 15 mm                    |
| Height                       | 40 mm                    |
| Width                        | 40 mm                    |

## Environment

|                                       |   |
|---------------------------------------|---|
| Product certifications                | CSA[RETURN]UL   |
| Ambient air temperature for operation | -25...70 °C   |
| Ambient air temperature for storage   | -40...85 °C   |
| Vibration resistance                  | 25 gn amplitude = +/- 2 mm (f = 10...55 Hz) conforming to IEC 60068-2-6 |
| Shock resistance                      | 50 gn for 11 ms conforming to IEC 60068-2-27                            |

## Packing Units

|                              |        |
|------------------------------|--------|
| Unit Type of Package 1       | PCE    |
| Number of Units in Package 1 | 1      |
| Package 1 Height             | 13 cm  |
| Package 1 Width              | 6.6 cm |
| Package 1 Length             | 9.5 cm |
| Package 1 Weight             | 190 g  |

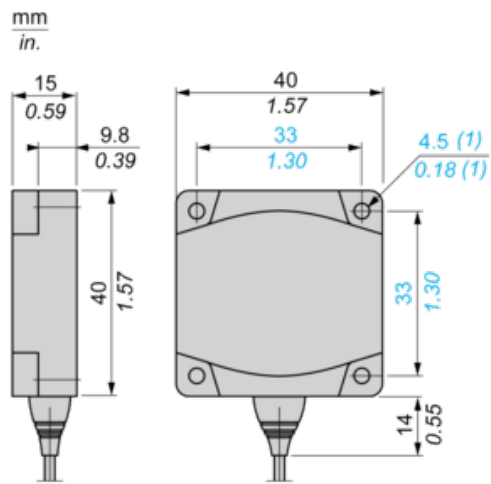
## Offer Sustainability

|  |  |
|--|--|
| For all Reach Rohs enquiries contact us at | <a href="mailto:sustainability@tesensors.com">sustainability@tesensors.com</a> |
|--|--|

## Contractual warranty

|          |           |
|----------|-----------|
| Warranty | 18 months |
|----------|-----------|

Dimensions



(1) For CHC type screws

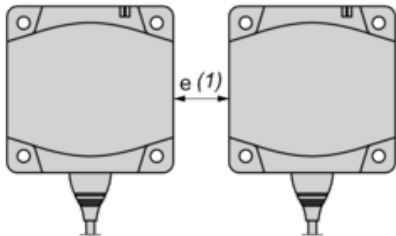
---

Setting-up

---

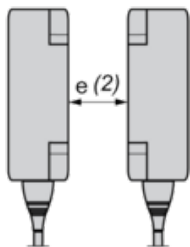
Minimum Mounting Distances (mm)

Side by Side



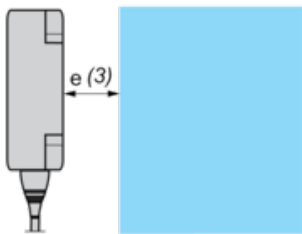
$e (1) \geq 45$

Face to Face



$e (2) \geq 110$

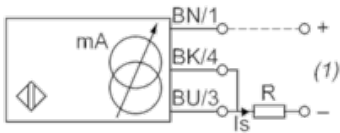
Facing a Metal Object



$e (3) \geq 45$

Wiring Schemes

2-Wire Connection



BU : Blue

BN : Brown

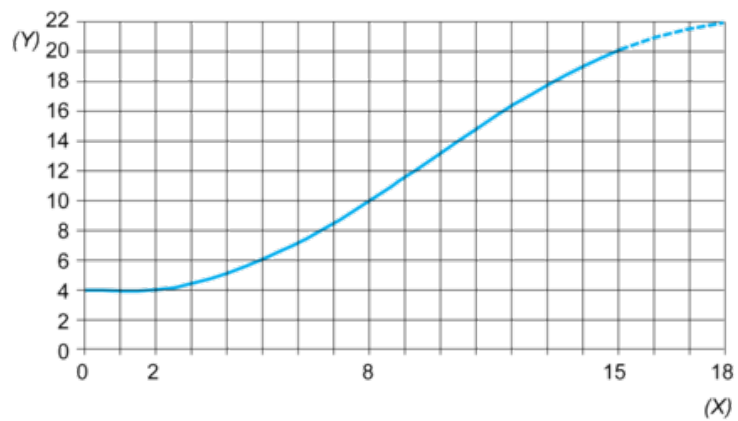
BK : Black

(1) Output current

Ensure a minimum of 10 V between the + (terminal 1) and - (terminal 3) of the sensor

|      | Output current | Load impedance value |
|------|----------------|----------------------|
| 12 V | 4...20 mA      | $R \leq 8.2 \Omega$  |
| 24 V | 4...20 mA      | $R \leq 470 \Omega$  |

## Output Curves



(Y) Is (mA)

(X) Sensors - object distance (mm)