

XS8C4A4PCP20

Inductive proximity sensors XS, inductive sensor XS8 40x40x117, PBT, Sn40 mm, 12...48 VDC, terminals



Main

| | |
|------------------------------------|---|
| Range of product | Telemecanique Inductive proximity sensors XS |
| Series name | General purpose |
| Sensor type | Inductive proximity sensor |
| Device application | Mobile equipment |
| Sensor name | XS8 |
| Sensor design | Form 40 x 40 x 117 |
| Size | 117 mm |
| Body type | Fixed |
| Detector flush mounting acceptance | Non flush mountable |
| Material | Plastic |
| Enclosure material | PBT |
| Type of output signal | Discrete |
| Wiring technique | 4-wire |
| [Sn] nominal sensing distance | 40 mm |
| Discrete output function | 1 NO + 1 NC |
| Output circuit type | DC |
| Discrete output type | PNP |
| Electrical connection | Screw-clamp terminals, 4 x 1.5 mm ² |
| [Us] rated supply voltage | 12...48 V DC with reverse polarity protection |
| Switching capacity in mA | <= 200 mA with overload and short-circuit protection |
| IP degree of protection | IP67 conforming to IEC 60529 IP65 conforming to IEC 60529 IP69K conforming to DIN 40050 |

Complementary

| | |
|-------------------------|---|
| Safety level | SIL 2 conforming to IEC 61508 PL = d conforming to ISO 13849-1 SILCL 2 conforming to IEC 62061 |
| Safety reliability data | MTTFd = 1546 years PFHd = 7.4E-8 1/h SFF = 92 % DC = 75 % with appropriate safety controller |
| Detection face | 5 positions turret head |
| Front material | PBT |
| Operating zone | 0...32 mm |
| Differential travel | 3...15% of Sr |
| Repeat accuracy | <= 3% of Sr |
| Cable entry number | 1 tapped entry for M20 x 1.5 cable gland |
| Status LED | Supply on: 1 LED (green) Output state: 1 LED (yellow) |
| Supply voltage limits | 10...58 V DC |
| Switching frequency | <= 200 Hz |
| Maximum voltage drop | <2 V (closed) |
| Current consumption | 0...15 mA no-load |
| Maximum delay first up | 7.5 ms |

| | |
|------------------------|----------|
| Maximum delay response | 1.4 ms |
| Maximum delay recovery | 2.5 ms |
| Marking | CE |
| Height | 40 mm |
| Length | 40 mm |
| Width | 117 mm |
| Net weight | 0.244 kg |

Environment

| | |
|---------------------------------------|---|
| Product certifications | TÜV[RETURN]UL[RETURN]CSA[RETURN]E2[RETURN]CCC |
| Ambient air temperature for operation | -25...70 °C |
| Ambient air temperature for storage | -40...85 °C |
| Vibration resistance | 25 gn amplitude = +/- 2 mm (f = 10...55 Hz) conforming to IEC 60068-2-6 |
| Shock resistance | 50 gn for 11 ms conforming to IEC 60068-2-27 |

Packing Units

| | |
|------------------------------|---------|
| Unit Type of Package 1 | PCE |
| Number of Units in Package 1 | 1 |
| Package 1 Height | 14.5 cm |
| Package 1 Width | 5 cm |
| Package 1 Length | 5 cm |
| Package 1 Weight | 264 g |

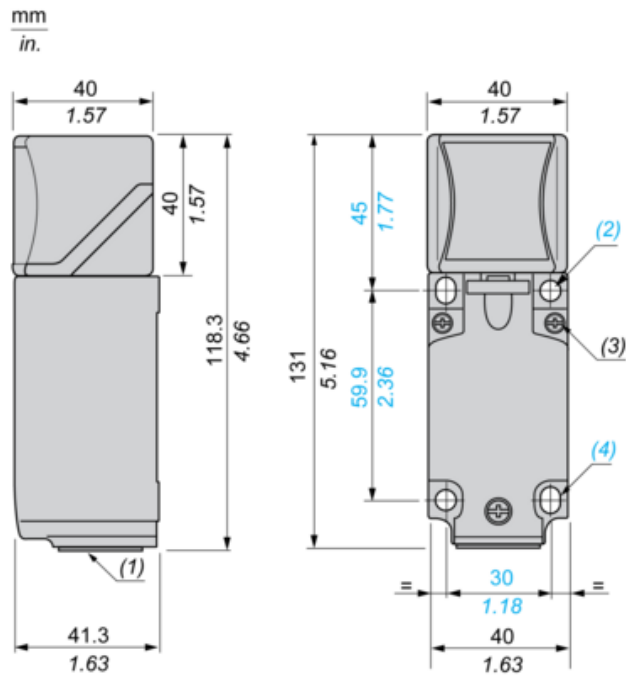
Offer Sustainability

| | |
|--|---|
| Sustainable offer status | Green Premium product |
| Circularity Profile | No need of specific recycling operations |
| California proposition 65 | WARNING: This product can expose you to chemicals including: Diisononyl phthalate (DINP), which is known to the State of California to cause cancer, and Di-isodecyl phthalate (DIDP), which is known to the State of California to cause birth defects or other reproductive harm. For more information go to www.P65Warnings.ca.gov |
| For all Reach Rohs enquiries contact us at | sustainability@tesensors.com |

Contractual warranty

| | |
|----------|-----------|
| Warranty | 18 months |
|----------|-----------|

Dimensions



(1) : M20 x 1.5 cable gland.

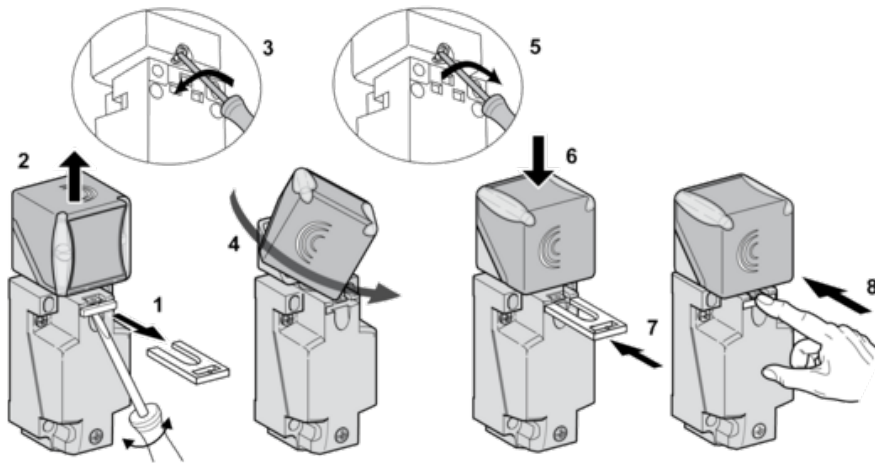
(2) : 2 holes \varnothing 5,45 mm / \varnothing 0.21 in. Tightening torque: < 1,5 Nm / < 13.3 lb-in.

(3) : 3 screws M3,5. Tightening torque: < 1,2 Nm / < 10.6 lb-in.

(4) : 2 elongated holes 5,4 x 7,4 mm / 0.21 x 0.29 in. Tightening torque: < 1,5 Nm / < 13.3 lb-in".

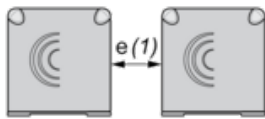
Mounting

Head Positions



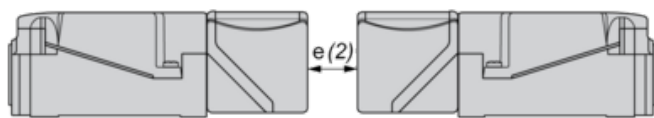
Setting-up Precautions

Side by Side



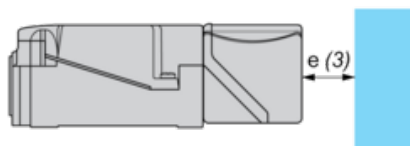
$e(1) \geq 160$

Face to Face



$e(2) \geq 320$

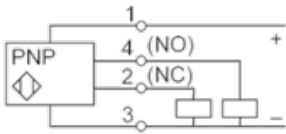
Facing a Metal Object



$e(3) \geq 120$

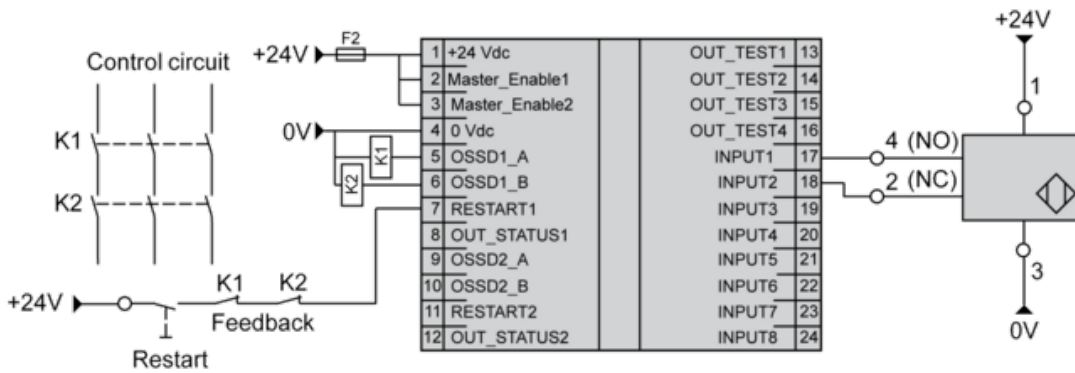
Wiring Schemes

4-Wire DC



SIL 2 Wiring Scheme

With Preventa XPSMF40 Safety PLC



SFF : (Safe Failure Fraction): 92,68 %

DC : (Diagnosis Coverage): 75,8 %