

# XS7C40FP260TT

inductive sensor XS7 40x40x117 - plastic -  
Sn15mm - 24..240VAC - terminals



## Main

Range of product	Telemecanique Inductive proximity sensors XS
Series name	General purpose
Sensor type	Inductive proximity sensor
Device application	-
Sensor name	XS7
Sensor design	Form 40 x 40 x 117
Size	117 mm
Body type	Fixed
Detector flush mounting acceptance	Flush mountable
Material	Plastic
Enclosure material	Plastic
Type of output signal	Discrete
Wiring technique	2-wire
[Sn] nominal sensing distance	15 mm
Discrete output function	1 NO or 1 NC programmable
Output circuit type	AC
Electrical connection	Screw-clamp terminals, 2 x 1.5 mm <sup>2</sup>
[Us] rated supply voltage	24...240 V AC 50/60 Hz
Switching capacity in mA	5...500 mA
IP degree of protection	IP67 conforming to IEC 60529

## Complementary

Detection face	5 positions turret head
Front material	Plastic
Operating zone	0...12 mm
Differential travel	3...20% of Sr
Repeat accuracy	<= 3% of Sr
Cable entry number	1 tapped entry for Pg 13.5 cable gland
Status LED	Output state: 1 LED (yellow)
Supply voltage limits	20...264 V AC
Maximum residual current	1.5 mA open state
Switching frequency	<= 25 Hz
Maximum voltage drop	<5.5 V (closed)
Maximum delay first up	120 ms
Maximum delay response	30 ms
Maximum delay recovery	20 ms
Marking	CE
Height	40 mm
Length	40 mm
Width	117 mm

## Environment

Product certifications	CSA[RETURN]C-Tick[RETURN]UL[RETURN]CCC
Ambient air temperature for operation	-25...85 °C

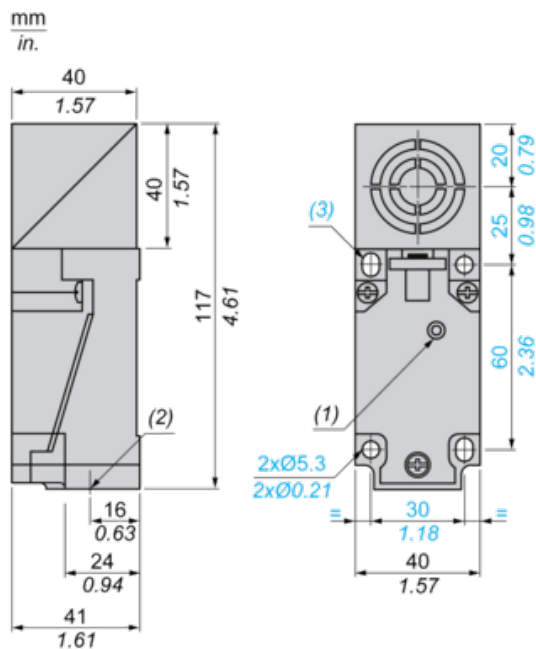
## Packing Units

Unit Type of Package 1	PCE
Number of Units in Package 1	1

## Contractual warranty

Warranty	18 months
----------	-----------

Dimensions



- (1) Output LED
- (2) 1 tapped entry for Pg 13.5 cable gland
- (3) 2 elongated holes  $\text{Ø} 5.3 \times 7$

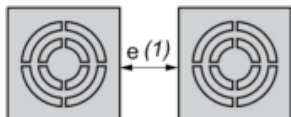
---

Setting-up

---

Minimum Mounting Distances (mm)

Side by Side



$e (1) \geq 40$

Face to Face



$e (2) \geq 120$

Facing a Metal Object



$e (3) \geq 45$

---

## Wiring Schemes

---

2-Wire AC Programmable, NO or NC Output Depending on Position of Link

