

XS7C40FP260H29

inductive sensor XS7 40x40x117 - plastic -
Sn15mm - 24..240VAC - terminals



Main

| | |
|------------------------------------|--|
| Range of product | Telemecanique Inductive proximity sensors XS |
| Series name | General purpose |
| Sensor type | Inductive proximity sensor |
| Device application | - |
| Sensor name | XS7 |
| Sensor design | Form 40 x 40 x 117 |
| Size | 117 mm |
| Body type | Fixed |
| Detector flush mounting acceptance | Flush mountable |
| Material | Plastic |
| Enclosure material | Plastic |
| Type of output signal | Discrete |
| Wiring technique | 2-wire |
| [Sn] nominal sensing distance | 15 mm |
| Discrete output function | 1 NO or 1 NC programmable |
| Output circuit type | AC |
| Electrical connection | Screw-clamp terminals, 2 x 1.5 mm ² |
| [Us] rated supply voltage | 24...240 V AC 50/60 Hz |
| Switching capacity in mA | 5...500 mA |
| IP degree of protection | IP67 conforming to IEC 60529 |

Complementary

| | |
|--------------------------|--|
| Detection face | 5 positions turret head |
| Front material | Plastic |
| Operating zone | 0...12 mm |
| Differential travel | 3...20% of Sr |
| Repeat accuracy | <= 3% of Sr |
| Cable entry number | 1 tapped entry for M20 x 1.5 cable gland |
| Status LED | Output state: 1 LED (yellow) |
| Supply voltage limits | 20...264 V AC |
| Maximum residual current | 1.5 mA open state |
| Switching frequency | <= 25 Hz |
| Maximum voltage drop | <5.5 V (closed) |
| Maximum delay first up | 120 ms |
| Maximum delay response | 30 ms |
| Maximum delay recovery | 20 ms |
| Marking | CE |
| Height | 40 mm |
| Length | 40 mm |
| Width | 117 mm |

Environment

| | |
|---------------------------------------|--|
| Product certifications | CSA[RETURN]UL[RETURN]C-Tick[RETURN]CCC |
| Ambient air temperature for operation | -25...70 °C |

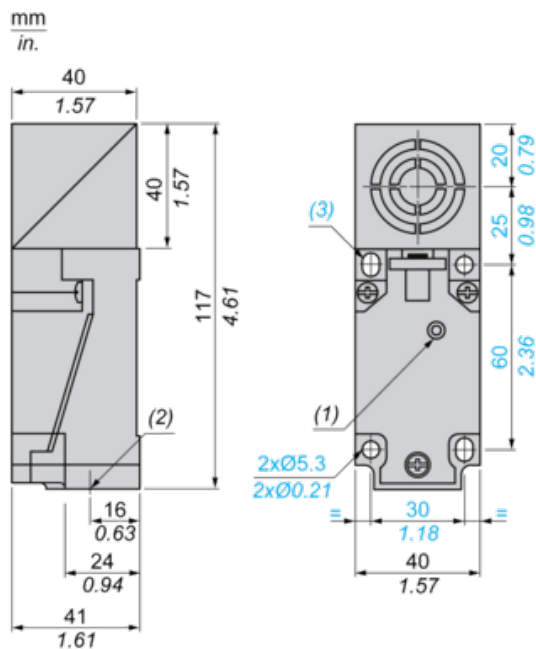
Packing Units

| | |
|------------------------------|-----|
| Unit Type of Package 1 | PCE |
| Number of Units in Package 1 | 1 |

Contractual warranty

| | |
|----------|-----------|
| Warranty | 18 months |
|----------|-----------|

Dimensions

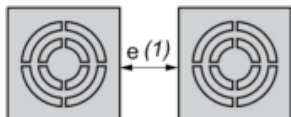


- (1) Output LED
- (2) 1 tapped entry for M20
- (3) 2 elongated holes $\text{\O} 5.3 \times 7$

Setting-up

Minimum Mounting Distances (mm)

Side by Side



$$e (1) \geq 40$$

Face to Face



$$e (2) \geq 120$$

Facing a Metal Object



$$e (3) \geq 45$$

Wiring Schemes

2-Wire AC Programmable, NO or NC Output Depending on Position of Link

