

# XS630B4PBM12

Inductive proximity sensors XS, inductive sensor XS6 M30, L74mm, brass, Sn22mm, 12...48 VDC, M12



## Main

|                                    |   |
|------------------------------------|---|
| Range of product                   | Telemecanique Inductive proximity sensors XS                  |
| Series name                        | General purpose   |
| Sensor type                        | Inductive proximity sensor                                    |
| Device application                 | Mobile equipment  |
| Sensor name                        | XS6   |
| Sensor design                      | Cylindrical M30   |
| Size                               | 74 mm   |
| Body type                          | Fixed   |
| Detector flush mounting acceptance | Non flush mountable   |
| Material                           | Metal   |
| Type of output signal              | Discrete  |
| Wiring technique                   | 3-wire  |
| [Sn] nominal sensing distance      | 22 mm   |
| Discrete output function           | 1 NC  |
| Output circuit type                | DC  |
| Discrete output type               | PNP   |
| Electrical connection              | Male connector M12, 4 pins                                    |
| [Us] rated supply voltage          | 12...48 V DC with reverse polarity protection                 |
| Switching capacity in mA           | <= 200 mA DC with overload and short-circuit protection       |
| IP degree of protection            | IP67 conforming to IEC 60529<br>IP69K conforming to DIN 40050 |

## Complementary

|                        |                              |
|------------------------|------------------------------|
| Thread type            | M30 x 1.5                    |
| Detection face         | Frontal                      |
| Front material         | PPS                          |
| Enclosure material     | Nickel plated brass          |
| Sensing range          | > 15...40 mm                 |
| Operating zone         | 0...17.6 mm                  |
| Differential travel    | 1...15% of Sr                |
| Status LED             | Output state: 1 LED (yellow) |
| Supply voltage limits  | 10...58 V DC                 |
| Switching frequency    | <= 500 Hz DC                 |
| Maximum voltage drop   | <2 V (closed)                |
| Current consumption    | <= 10 mA no-load             |
| Maximum delay first up | 10 ms                        |
| Maximum delay response | 0.6 ms                       |
| Maximum delay recovery | 1.4 ms                       |
| Marking                | CE                           |
| Threaded length        | 41 mm                        |
| Length                 | 74 mm                        |
| Net weight             | 0.145 kg                     |

## Environment

|                                       |   |
|---------------------------------------|---|
| Product certifications                | E2[RETURN]UL[RETURN]CSA   |
| Ambient air temperature for operation | -25...70 °C   |
| Ambient air temperature for storage   | -40...85 °C   |
| Vibration resistance                  | 25 gn amplitude = +/- 2 mm (f = 10...55 Hz) conforming to IEC 60068-2-6 |
| Shock resistance                      | 50 gn for 11 ms conforming to IEC 60068-2-27                            |

## Packing Units

|                              |           |
|------------------------------|-----------|
| Unit Type of Package 1       | PCE       |
| Number of Units in Package 1 | 1         |
| Package 1 Height             | 4.100 cm  |
| Package 1 Width              | 5.200 cm  |
| Package 1 Length             | 9.800 cm  |
| Package 1 Weight             | 141.000 g |
| Unit Type of Package 2       | S01       |
| Number of Units in Package 2 | 11        |
| Package 2 Height             | 15 cm     |
| Package 2 Width              | 15 cm     |
| Package 2 Length             | 40 cm     |
| Package 2 Weight             | 1.725 kg  |

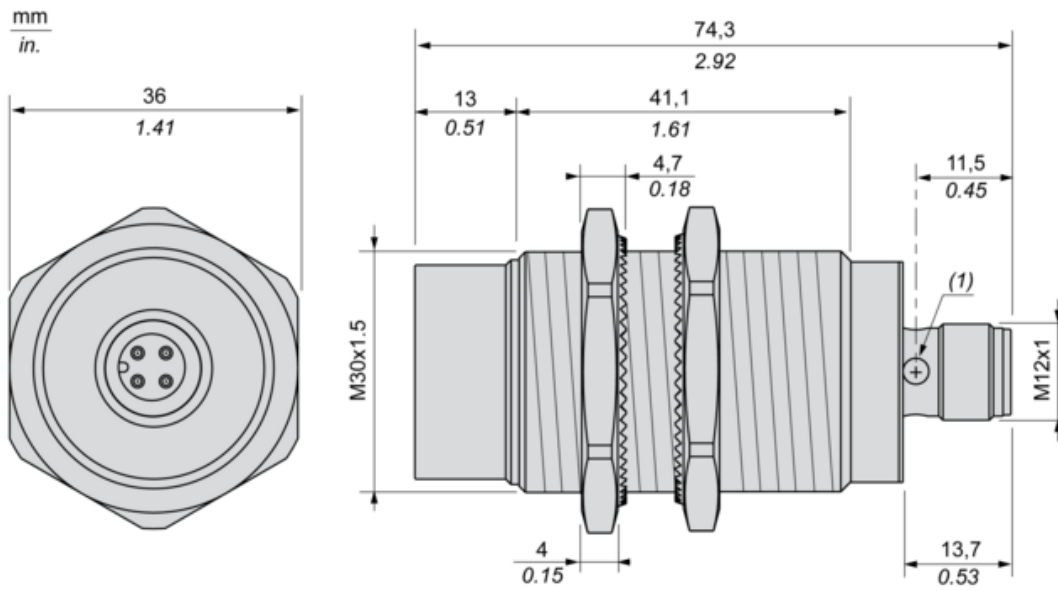
## Offer Sustainability

|  |   |
|--|---|
| Sustainable offer status                   | Green Premium product   |
| Circularity Profile                        | <a href="#">End of Life Information</a>   |
| California proposition 65                  | WARNING: This product can expose you to chemicals including: Diisononyl phthalate (DINP), which is known to the State of California to cause cancer, and Di-isodecyl phthalate (DIDP), which is known to the State of California to cause birth defects or other reproductive harm. For more information go to <a href="http://www.P65Warnings.ca.gov">www.P65Warnings.ca.gov</a> |
| For all Reach Rohs enquiries contact us at | <a href="mailto:sustainability@tesensors.com">sustainability@tesensors.com</a>  |

## Contractual warranty

|          |           |
|----------|-----------|
| Warranty | 18 months |
|----------|-----------|

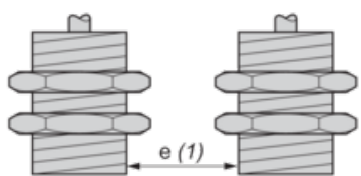
Dimensions



(1) : LED

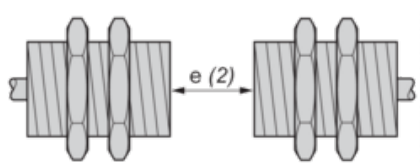
Minimum Mounting Distances in mm

Side by side



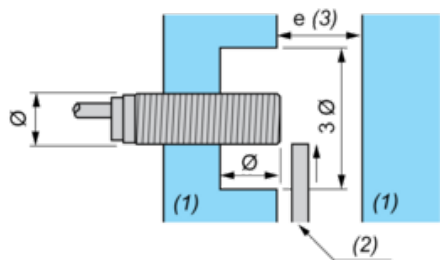
$e (1) \geq 120 \text{ mm}/4.72 \text{ in.}$

Face to face



$e (2) \geq 264 \text{ mm}/10.39 \text{ in.}$

Facing a metal object



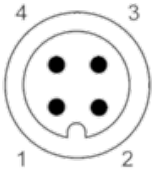
$e (3) \geq 66 \text{ mm}/2.60 \text{ in.}$

(4) Metal

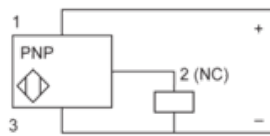
(5) Object to be detected

## Wiring Schemes

M12 connector



PNP



1 : (+)

2 : NC Output

3 : (-)

4 : Not connected