

# XMLP300PP730

Electronic pressure sensors, Pressure sensors XM, transmitter, XMLP, 300 PSI, 1/4"18NPT, 0...10 V, Packard, set 1



## Main

|                           |  |
|---------------------------|--|
| Range of product          | Telemecanique Pressure sensors XM  |
| Product or component type | Electronic pressure sensors  |
| Pressure sensor type      | Pressure transmitter   |
| Pressure sensor name      | XMLP   |
| Electrical circuit type   | Control circuit  |
| Pressure rating           | 2068.4 kPa   |
| Local display             | Without  |
| Controlled fluid          | Fresh water (0...135 °C)<br>Air (-40...135 °C)<br>Hydraulic oil (-40...135 °C)<br>Gas (-40...135 °C)<br>Refrigeration fluid (-40...135 °C) |
| Fluid connection type     | 1/4" - 18 NPT (male)   |
| Electrical connection     | 1 male connector Packard Metripack 150 3 pins  |
| [Us] rated supply voltage | 24 V DC SELV (voltage limits: 12...33 V)   |
| Current consumption       | < 7 mA   |
| Type of output signal     | Analogue   |
| Analogue output function  | 0...10 V, 3-wire   |
| Quantity per set          | Set of 1   |
| Type of packing           | Individual   |

## Complementary

|   |   |
|---|---|
| Pressure setting range                  | 0.000000000...2068.4 kPa  |
| Maximum permissible accidental pressure | 6205.3 kPa  |
| Destruction pressure                    | 15168.47 kPa  |
| Materials in contact with fluid         | Stainless steel AISI 316L   |
| Operating position                      | Any position  |
| Protection type                         | Load short-circuit<br>Reverse polarity  |
| Electromagnetic compatibility           | Electrical fast transient/burst immunity test conforming to IEC 61000-4-4 2 kV<br>Electrostatic discharge immunity test conforming to IEC 61000-4-2 8 kV air, 4 kV contact<br>1.2/50 µs shock waves immunity test conforming to IEC 61000-4-5 1 kV 42 Ohm<br>Immunity to magnetic fields conforming to IEC 61000-4-8 100 A/m 50 Hz<br>Susceptibility to electromagnetic fields conforming to IEC 61000-4-3 10 V/m<br>80...3000 MHz<br>Radiated RF fields conforming to IEC 61000-4-6 10 V 0.01...80 MHz |
| [Uimp] rated impulse withstand voltage  | 0.5 kV  |
| Response time on output                 | <= 2 ms 10...90 % of full scale   |
| Measurement accuracy                    | +/- 0.5 % of the measuring range  |
| Resolution                              | 0.1 % of the measuring range  |
| Drift of the sensitivity                | +/- 0.02 % of measuring range/°K  |
| Drift of the zero point                 | +/- 0.02 % of measuring range/°K  |
| Mechanical durability                   | 10000000 cycles   |
| Net weight                              | 0.09 kg   |
| Diameter                                | 26 mm   |
| Length                                  | 55 mm   |

## Environment

|                                       |  |
|---------------------------------------|--|
| Standards                             | IEC 61326-2-3<br>NSF ANSI 61                                 |
| Product certifications                | CE[RETURN]cULus[RETURN]RCM                                   |
| Protective treatment                  | TC   |
| Ambient air temperature for operation | -30...85 °C  |
| Ambient air temperature for storage   | -50...100 °C   |
| Vibration resistance                  | 20 gn (f = 15...2000 Hz) conforming to IEC 60068-2-6         |
| Shock resistance                      | 100 gn for 11 ms conforming to IEC 60068-2-27                |
| IP degree of protection               | IP65 conforming to IEC 60529<br>IP67 conforming to IEC 60529 |

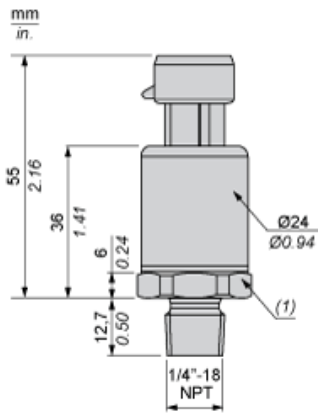
## Packing Units

|                              |          |
|------------------------------|----------|
| Unit Type of Package 1       | PCE      |
| Number of Units in Package 1 | 1        |
| Package 1 Height             | 4.200 cm |
| Package 1 Width              | 4.700 cm |
| Package 1 Length             | 8.700 cm |
| Package 1 Weight             | 89.000 g |
| Unit Type of Package 2       | S01      |
| Number of Units in Package 2 | 24       |
| Package 2 Height             | 15 cm    |
| Package 2 Width              | 15 cm    |
| Package 2 Length             | 40 cm    |
| Package 2 Weight             | 2.324 kg |

## Offer Sustainability

|  |   |
|--|---|
| Sustainable offer status                   | Green Premium product   |
| Circularity Profile                        | No need of specific recycling operations  |
| California proposition 65                  | WARNING: This product can expose you to chemicals including: Diisononyl phthalate (DINP), which is known to the State of California to cause cancer, and Di-isodecyl phthalate (DIDP), which is known to the State of California to cause birth defects or other reproductive harm. For more information go to <a href="http://www.P65Warnings.ca.gov">www.P65Warnings.ca.gov</a> |
| For all Reach Rohs enquiries contact us at | <a href="mailto:sustainability@tesensors.com">sustainability@tesensors.com</a>  |

Dimensions



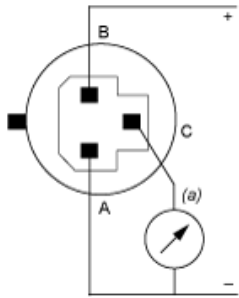
(1) SW24 tightening torque  $\leq 25$  N.m / 221 lb-in

---

## Wiring Diagram

---

### 3-Wire Technique (0-10 V)



(a) V out

## Curves

