

# XMLP006GL21F

Electronic pressure sensors, Pressure sensors XM, transmitter 6 bar, 4...20 mA, G1/4 A male, FPM, cable PVC 2 m



## Main

Range of product	Telemecanique Pressure sensors XM
Product or component type	Electronic pressure sensors
Pressure sensor type	Pressure transmitter
Pressure sensor name	XMLP
Electrical circuit type	Control circuit
Pressure rating	6 bar
Local display	Without
Controlled fluid	Fresh water (0...125 °C) Air (-15...125 °C) Gas (-15...125 °C) Hydraulic oil (-15...125 °C)
Fluid connection type	G 1/4A (male) conforming to DIN 3852-E
Electrical connection	Cable 2 m
[Us] rated supply voltage	12...24 V DC SELV (voltage limits: 7...33 V)
Current consumption	< 23 mA
Type of output signal	Analogue
Analogue output function	4...20 mA, 2-wire
Quantity per set	Set of 1
Type of packing	Individual

## Complementary

Pressure setting range	0...6 bar
Maximum permissible accidental pressure	18 bar
Destruction pressure	24 bar
Materials in contact with fluid	Fluorocarbon FPM Ceramic Stainless steel AISI 316L
Operating position	Any position
Protection type	Reverse polarity Load short-circuit
Electromagnetic compatibility	Susceptibility to electromagnetic fields conforming to IEC 61000-4-3 10 V/m 80...1000 MHz Radiated RF fields conforming to IEC 61000-4-6 10 V 0.15...80 MHz Electrostatic discharge immunity test conforming to IEC 61000-4-2 8 kV air, 4 kV contact 1.2/50 µs shock waves immunity test conforming to IEC 61000-4-5 1 kV 42 Ohm Immunity to magnetic fields conforming to IEC 61000-4-8 100 A/m 50 Hz Electrical fast transient/burst immunity test conforming to IEC 61000-4-4 4 kV
[Uimp] rated impulse withstand voltage	0.5 kV
Response time on output	<= 2 ms 10...90 % of full scale
Measurement accuracy	+/- 0.5 % of the measuring range
Resolution	0.1 % of the measuring range
Drift of the sensitivity	+/- 0.02 % of measuring range/°K
Drift of the zero point	+/- 0.02 % of measuring range/°K
Long term stability	+/- 0.25 % of the measuring range
Mechanical durability	10000000 cycles
Net weight	0.171 kg

The information provided in this documentation contains general descriptions and/or technical characteristics of the performance of the products contained herein. This documentation is not intended as a substitute for and is not to be used for determining suitability or reliability of these products for specific user applications. It is the duty of any such user or integrator to perform the appropriate and complete risk analysis, evaluation and testing of the products with respect to the relevant specific application or use thereof. Neither TWSS Holding nor any of its affiliates or subsidiaries shall be responsible or liable for misuse of the information contained herein.

Diameter	26 mm
Length	57 mm

## Environment

Standards	NSF ANSI 61 IEC 61326-2-3
Product certifications	CE[RETURN]cULus[RETURN]RCM
Ambient air temperature for operation	-30...85 °C
Ambient air temperature for storage	-50...100 °C
Vibration resistance	20 gn (f = 10...2000 Hz) conforming to IEC 60068-2-6
Shock resistance	100 gn for 11 ms conforming to IEC 60068-2-27
IP degree of protection	IP65 conforming to IEC 60529 IP67 conforming to IEC 60529

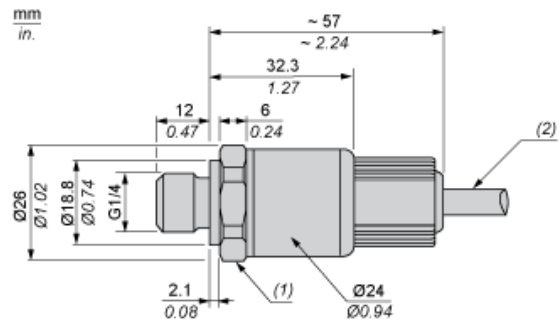
## Packing Units

Unit Type of Package 1	PCE
Number of Units in Package 1	1

## Offer Sustainability

Sustainable offer status	Green Premium product
California proposition 65	WARNING: This product can expose you to chemicals including: Diisononyl phthalate (DINP), which is known to the State of California to cause cancer, and Di-isodecyl phthalate (DIDP), which is known to the State of California to cause birth defects or other reproductive harm. For more information go to <a href="http://www.P65Warnings.ca.gov">www.P65Warnings.ca.gov</a>
For all Reach Rohs enquiries contact us at	<a href="mailto:sustainability@tesensors.com">sustainability@tesensors.com</a>

Dimensions



- (1) SW24 tightening torque  $\leq 25$  N.m / 221 lb-in
- (2) Cable

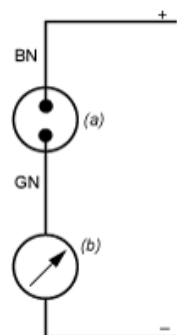
---

Connection and Schema

---

Wiring Diagram

2-Wire Technique (4-20 mA)



- (a) PVC cable
- (b) I out

---

Performance Curves

---

Curves

