

# XMLK025B2C21

Electronic pressure sensors, Pressure sensors XM, sensor XMLK, 0...25 bar, G 1/4 A, 4...20 mA, DIN, set of 1



## Main

Range of product	Telemecanique Pressure sensors XM
Product or component type	Electronic pressure sensors
Pressure sensor type	Pressure transmitter
Pressure sensor name	XMLK
Electrical circuit type	Control circuit
Pressure rating	25 bar
Local display	Without
Controlled fluid	Air (0...80 °C) Fresh water (0...80 °C)
Fluid connection type	G 1/4A (male) conforming to DIN 3852-E
Electrical connection	1 male connector EN 175301-803-A (ex DIN43650) 4 pins
[Us] rated supply voltage	24 V DC SELV (voltage limits: 8...33 V)
Current consumption	< 20 mA
Type of output signal	Analogue
Analogue output function	4...20 mA, 2-wire
Quantity per set	Set of 1
Type of packing	Individual

## Complementary

Pressure setting range	0...25 bar
Maximum permissible accidental pressure	50 bar
Destruction pressure	75 bar
Materials in contact with fluid	Stainless steel type AISI 303 Nitrile (NBR) Ceramic
Operating position	Any position
Protection type	Load short-circuit Reverse polarity
Electromagnetic compatibility	Electrostatic discharge immunity test conforming to IEC 61000-4-2 8 kV air, 6 kV contact Susceptibility to electromagnetic fields conforming to IEC 61000-4-3 10 V/m 80...1000 MHz Electrical fast transient/burst immunity test conforming to IEC 61000-4-4 2 kV 1.2/50 µs shock waves immunity test conforming to IEC 61000-4-5 500 V 12 Ohm, 1 kV 42 Ohm Radiated RF fields conforming to IEC 61000-4-6 10 V 0.15...80 MHz Immunity to magnetic fields conforming to IEC 61000-4-8 30 A/m 50 Hz
[Uimp] rated impulse withstand voltage	0.5 kV
Response time on output	< 5 ms
Measurement accuracy	+/- 1 % of the measuring range
Resolution	0.1 % of the measuring range
Drift of the sensitivity	+/- 0.04 % of measuring range/°K
Drift of the zero point	+/- 0.03 % of measuring range/°K
Long term stability	+/- 1 % of the measuring range
Mechanical durability	10000000 cycles
Net weight	0.11 kg
Diameter	36 mm

The information provided in this documentation contains general descriptions and/or technical characteristics of the performance of the products contained herein. This documentation is not intended as a substitute for and is not to be used for determining suitability or reliability of these products for specific user applications. It is the duty of any such user or integrator to perform the appropriate and complete risk analysis, evaluation and testing of the products with respect to the relevant specific application or use thereof. Neither TWSS Holding nor any of its affiliates or subsidiaries shall be responsible or liable for misuse of the information contained herein.

Length	67.5 mm
Scale type	Fixed differential

## Environment

Standards	IEC 61326-2-3 CE
Product certifications	UL 508[RETURN]RCM[RETURN]CSA C22.2 No 14
Protective treatment	TC
Ambient air temperature for operation	0...80 °C
Ambient air temperature for storage	-25...80 °C
Vibration resistance	20 gn (f = 9...2000 Hz) conforming to IEC 60068-2-6
Shock resistance	25 gn for 11 ms conforming to IEC 60068-2-27
IP degree of protection	IP65 conforming to IEC 60529
NEMA degree of protection	NEMA 4

## Packing Units

Unit Type of Package 1	PCE
Number of Units in Package 1	1
Package 1 Height	4.1 cm
Package 1 Width	6.6 cm
Package 1 Length	9.5 cm
Package 1 Weight	137 g

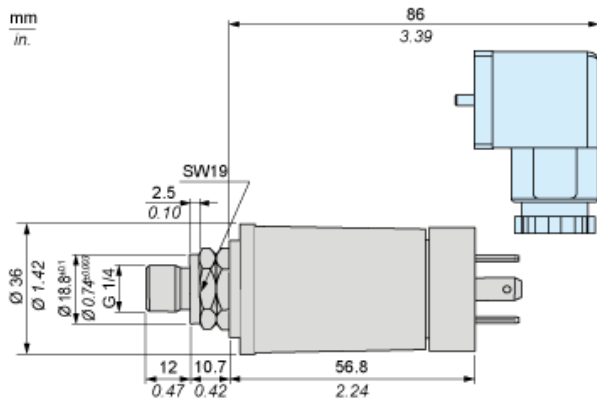
## Offer Sustainability

California proposition 65	WARNING: This product can expose you to chemicals including: Diisononyl phthalate (DINP), which is known to the State of California to cause cancer, and Di-isodecyl phthalate (DIDP), which is known to the State of California to cause birth defects or other reproductive harm. For more information go to <a href="http://www.P65Warnings.ca.gov">www.P65Warnings.ca.gov</a>
For all Reach Rohs enquiries contact us at	<a href="mailto:sustainability@tesensors.com">sustainability@tesensors.com</a>

## Contractual warranty

Warranty	18 months
----------	-----------

Dimensions

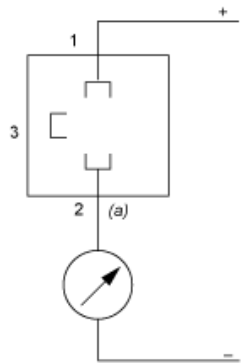


---

## Wiring Diagram

---

### 2-Wire Technique (4-20 mA)



(a) I<sub>out</sub>

---

Output Curves

---

