



Main

Range of product	Telemecanique Pressure sensors XM
Product or component type	Electronic pressure sensors
Pressure sensor type	Electronic pressure sensor
Pressure sensor name	XMLG
Pressure rating	1 bar
Fluid connection type	G 1/4A (male) conforming to DIN 3852-E
Controlled fluid	Air (-15...125 °C) Corrosive fluid (-15...125 °C) Hydraulic oil (-15...125 °C) Fresh water (0...125 °C)
Type of output signal	Discrete
Discrete output type	Solid state PNP, 1 NC
Electrical connection	Quickon type quick coupling
Adjustable range of switching point on rising pressure	0.08...1 bar
Adjustable range of switching point on falling pressure	0.05...0.97 bar
Setting	Factory setting
[Us] rated supply voltage	12 V DC (voltage limits: 8...33 V) 24 V DC (voltage limits: 8...33 V)
Quantity per set	Set of 25
Type of packing	Group
Diameter	22.8 mm

Complementary

Possible differential minimum at high setting	0.03 bar
Possible differential minimum at low setting	0.03 bar
Possible differential maximum at high setting	0.95 bar
Maximum permissible accidental pressure	2.7 bar
Destruction pressure	3 bar
Local display	Without
Electrical circuit type	Control circuit
Current consumption	< 4 mA
Maximum switching current	150 mA
Materials in contact with fluid	FPM (Viton) Stainless steel type AISI 303 Ceramic
Operating position	Any position
Protection type	Reverse polarity Load short-circuit
Surge withstand	1 KV 42 Ohm conforming to IEC 61000-4-5 500 kV 12 Ohm conforming to IEC 61000-4-5
[Uimp] rated impulse withstand voltage	0.5 kV
Response time on output	< 2 ms
Drift of the sensitivity	+/- 0.015 % of measuring range/°C
Drift of the zero point	+/- 0.015 % of measuring range/°C
Measurement accuracy	+/- 1 % of the measuring range
Repeat accuracy	+/- 0.1 % of the measuring range

Mechanical durability	10000000 cycles
Net weight	0.095 kg
Height	66.1 mm
Length	66.1 mm
Scale type	Fixed differential

Environment

Standards	IEC 61326-2-3 CE
Product certifications	UL 508[RETURN]CSA C22.2 No 14
Protective treatment	TC
Ambient air temperature for operation	-15...85 °C
Ambient air temperature for storage	-40...85 °C
Vibration resistance	20 gn (f= 9...2000 Hz) conforming to IEC 60028-2-6
Shock resistance	25 gn for 11 ms conforming to IEC 60068-2-27
Resistance to electrostatic discharge	15 kV in air conforming to IEC 61000-4-2 8 kV on contact conforming to IEC 61000-4-2
Resistance to electromagnetic fields	200 V/m 80...1000 Hz conforming to IEC 61000-4-3
Resistance to fast transients	4 kV conforming to IEC 61000-4-4
Resistance to conducted disturbances	30 V (0.15...80 Hz) conforming to IEC 61000-4-6
Resistance to magnetic fields	30 A/m 50 Hz conforming to IEC 61000-4-8
IP degree of protection	IP66 conforming to IEC 60529 IP67 conforming to IEC 60529
NEMA degree of protection	NEMA 4

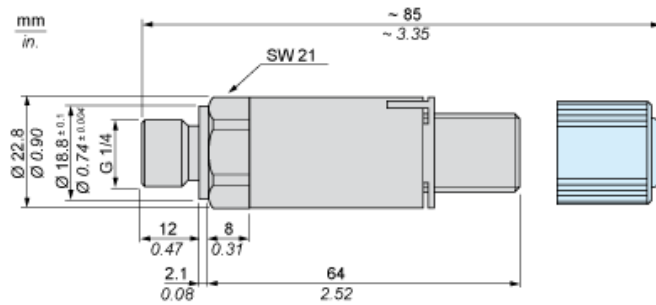
Packing Units

Unit Type of Package 1	PCE
Number of Units in Package 1	1

Contractual warranty

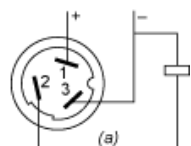
Warranty	18 months
----------	-----------

Dimensions



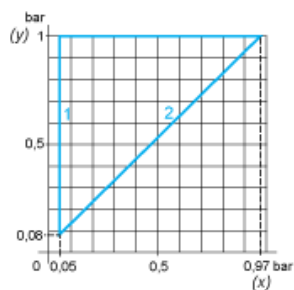
Wiring Diagram

3-Wire Technique (PNP)



(a) Output

Operating Curves



- (y) Rising pressure
- (x) Falling pressure
- 1 : Maximum differential
- 2 : Minimum differential