

XMEP250BV11FQ

Electronic pressure sensors, Pressure sensors XM, transmitter, XMEP, 250 bar, G1/4 A male, 0,5...4,5 V, AMP Sup, set 25



Main

Range of product	Telemecanique Pressure sensors XM
Product or component type	Electronic pressure sensors
Pressure sensor type	Pressure transmitter
Pressure sensor name	XMEP
Electrical circuit type	Control circuit
Pressure rating	250 bar
Local display	Without
Controlled fluid	Fresh water (0...125 °C) Air (-30...125 °C) Hydraulic oil (-30...125 °C)
Fluid connection type	G 1/4A (male) conforming to DIN 3852-E
Electrical connection	1 male connector AMP SUPERSEAL 1.5 3 pins
[Us] rated supply voltage	5 V DC SELV (voltage limits: 4.5...5.5 V)
Current consumption	< 7 mA
Type of output signal	Analogue
Analogue output function	0.5...4.5 V, 3-wire
Quantity per set	Set of 25
Type of packing	Group

Complementary

Pressure setting range	0...250 bar
Maximum permissible accidental pressure	750 bar
Destruction pressure	1500 bar
Materials in contact with fluid	Stainless steel AISI 316L Fluorocarbon FPM
Operating position	Any position
Protection type	Reverse polarity Load short-circuit
Electromagnetic compatibility	Electrostatic discharge immunity test conforming to ISO 10605 criteria A 15 kV air, 15 kV contact Susceptibility to electromagnetic fields conforming to ISO 11452-2 criteria A 100 V/m 200...2000 MHz Susceptibility to electromagnetic fields conforming to ISO 11452-4 criteria A 100 mA 20...400 MHz Susceptibility to conducted disturbances conforming to EN/IEC 61000-4-6 criteria A 30 V 0.15...80 MHz Electrical fast transient/burst immunity test conforming to EN/IEC 61000-4-4 criteria A 4 kV Susceptibility to conducted transient disturbances conforming to ISO 7637-2 criteria B level 3
[Uimp] rated impulse withstand voltage	0.5 kV
Response time on output	<= 2 ms 10...90 % of full scale
Measurement accuracy	+/- 0.5 % of the measuring range
Resolution	0.1 % of the measuring range
Drift of the sensitivity	+/- 0.02 % of measuring range/°K
Drift of the zero point	+/- 0.02 % of measuring range/°K
Long term stability	+/- 0.5 % of the measuring range
Mechanical durability	10000000 cycles

Net weight	0.098 kg
Diameter	26 mm
Length	60.5 mm

Environment

Standards	ISO 14982 ECE 10R-5 EN 13309 ISO 13766 EN/IEC 61326-2-3 UL 61010-1
Product certifications	E2[RETURN]cULus[RETURN]CE
Ambient air temperature for operation	-40...100 °C
Ambient air temperature for storage	-50...100 °C
Vibration resistance	12 gn sinus (f = 20...520 Hz) test 4 conforming to ISO 16750-3 18 gn random (f = 10...2000 Hz) test 4 conforming to ISO 16750-3
Shock resistance	50 gn for 11 ms conforming to EN/IEC 60068-2-27
IP degree of protection	IP65 conforming to EN/IEC 60529 IP67 conforming to EN/IEC 60529

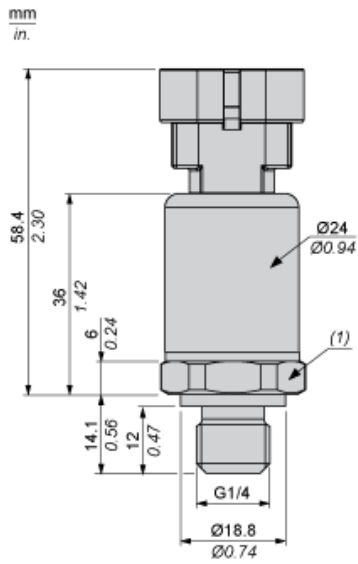
Packing Units

Unit Type of Package 1	PCE
Number of Units in Package 1	1
Package 1 Height	8.0 cm
Package 1 Width	12.7 cm
Package 1 Length	13.7 cm
Package 1 Weight	93.0 g

Offer Sustainability

Sustainable offer status	Green Premium product
Circularity Profile	No need of specific recycling operations
California proposition 65	WARNING: This product can expose you to chemicals including: Diisononyl phthalate (DINP), which is known to the State of California to cause cancer, and Di-isodecyl phthalate (DIDP), which is known to the State of California to cause birth defects or other reproductive harm. For more information go to www.P65Warnings.ca.gov
For all Reach Rohs enquiries contact us at	sustainability@tesensors.com

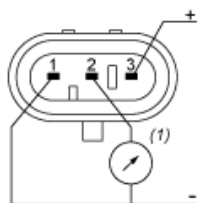
Dimensions



(1) SW24, tightening torque □ 24 N-m / 212 lb-in

Connections and Schema

Connector Wiring



(1) V out

Performance Curves

Curves

