

# XMEP250BJ21FQ

Electronic pressure sensors, Pressure sensors XM, transmitter, XMEP, 250 bar, G1/4 A male, 4...20 mA, AMP JPT, set 25



## Main

Range of product	Telemecanique Pressure sensors XM
Product or component type	Electronic pressure sensors
Pressure sensor type	Pressure transmitter
Pressure sensor name	XMEP
Electrical circuit type	Control circuit
Pressure rating	250 bar
Local display	Without
Controlled fluid	Fresh water (0...125 °C) Air (-30...125 °C) Hydraulic oil (-30...125 °C)
Fluid connection type	G 1/4A (male) conforming to DIN 3852-E
Electrical connection	1 male connector AMP power junior timer 3 pins
[Us] rated supply voltage	12...24 V DC SELV (voltage limits: 9...36 V)
Current consumption	< 23 mA
Type of output signal	Analogue
Analogue output function	4...20 mA, 2-wire
Quantity per set	Set of 25
Type of packing	Group

## Complementary

Pressure setting range	0...250 bar
Maximum permissible accidental pressure	750 bar
Destruction pressure	1500 bar
Materials in contact with fluid	Stainless steel AISI 316L Fluorocarbon FPM
Operating position	Any position
Protection type	Load short-circuit Reverse polarity
Electromagnetic compatibility	Electrostatic discharge immunity test conforming to ISO 10605 criteria A 15 kV air, 15 kV contact Susceptibility to electromagnetic fields conforming to ISO 11452-2 criteria A 100 V/m 200...2000 MHz Susceptibility to electromagnetic fields conforming to ISO 11452-4 criteria A 100 mA 20...400 MHz Susceptibility to conducted disturbances conforming to EN/IEC 61000-4-6 criteria A 30 V 0.15...80 MHz Electrical fast transient/burst immunity test conforming to EN/IEC 61000-4-4 criteria A 4 kV Susceptibility to conducted transient disturbances conforming to ISO 7637-2 criteria B level 3
[Uimp] rated impulse withstand voltage	0.5 kV
Response time on output	<= 2 ms 10...90 % of full scale
Measurement accuracy	+/- 0.5 % of the measuring range
Resolution	0.1 % of the measuring range
Drift of the sensitivity	+/- 0.02 % of measuring range/°K
Drift of the zero point	+/- 0.02 % of measuring range/°K
Long term stability	+/- 0.5 % of the measuring range
Mechanical durability	10000000 cycles

The information provided in this documentation contains general descriptions and/or technical characteristics of the performance of the products contained herein. This documentation is not intended as a substitute for and is not to be used for determining suitability or reliability of these products for specific user applications. It is the duty of any such user or integrator to perform the appropriate and complete risk analysis, evaluation and testing of the products with respect to the relevant specific application or use thereof. Neither TWSS Holding nor any of its affiliates or subsidiaries shall be responsible or liable for misuse of the information contained herein.

Net weight	0.098 kg
Diameter	26 mm
Length	54 mm

## Environment

Standards	UL 61010-1 EN 13309 ECE 10R-5 ISO 14982 EN/IEC 61326-2-3 ISO 13766
Product certifications	CE[RETURN]E2[RETURN]cULus
Ambient air temperature for operation	-40...100 °C
Ambient air temperature for storage	-50...100 °C
Vibration resistance	12 gn sinus (f = 20...520 Hz) test 4 conforming to ISO 16750-3 18 gn random (f = 10...2000 Hz) test 4 conforming to ISO 16750-3
Shock resistance	50 gn for 11 ms conforming to EN/IEC 60068-2-27
IP degree of protection	IP65 conforming to EN/IEC 60529 IP67 conforming to EN/IEC 60529

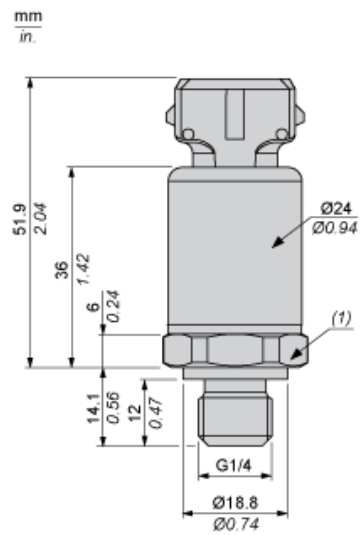
## Packing Units

Unit Type of Package 1	PCE
Number of Units in Package 1	1
Package 1 Height	8.0 cm
Package 1 Width	12.7 cm
Package 1 Length	13.7 cm
Package 1 Weight	93.0 g

## Offer Sustainability

Sustainable offer status	Green Premium product
Circularity Profile	No need of specific recycling operations
California proposition 65	WARNING: This product can expose you to chemicals including: Diisononyl phthalate (DINP), which is known to the State of California to cause cancer, and Di-isodecyl phthalate (DIDP), which is known to the State of California to cause birth defects or other reproductive harm. For more information go to <a href="http://www.P65Warnings.ca.gov">www.P65Warnings.ca.gov</a>
For all Reach Rohs enquiries contact us at	<a href="mailto:sustainability@tesensors.com">sustainability@tesensors.com</a>

Dimensions



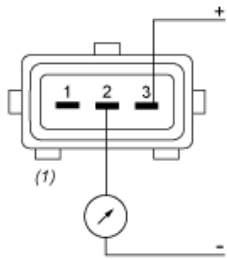
(1) SW24, tightening torque  $\square$  24 N-m / 212 lb-in

---

Connections and Schema

---

Connector Wiring



- (1) I out  
Pin Not connected  
2 :

---

Performance Curves

---

Curves

