

XGCS8901201

Compact smart antenna, Radio frequency identification XG, RFID 13.56 MHz, flat form 80x80x26, M12, cable 0.2 m



Main

Range of product	Telemecanique Radio frequency identification XG
Product or component type	Compact smart antenna
RFID compact station name	XGCS
RFID frequency	13.56 MHz
Design	Flat form 80 x 80 x 26
Electrical connection	5 pin(s)male remote connector M12, shielded cable cable 0.2 m
Transmission rate	9600 bauds...115200 bauds (automatic detection)
Outer dimension	80 x 80 x 26 mm
Product compatibility	RFID microchip STM (CR1X4K) RFID microchip Microelectronic (EM4135) RFID microchip Fujitsu (MB89R118 - MB89R119) RFID microchip INSIDE (micropass) RFID microchip NXP (SL2, SL1, Ultralight, Std 1K/4K, Desfire) RFID microchip Texas (Tag-it HFI)
[Sn] nominal sensing distance	20...100 mm
[Us] rated supply voltage	24 V DC conforming to Protective Extra Low Voltage

Complementary

Communication port protocol	Modbus RTU Uni-Telway
Communication port support	RS485
Associated tag type	ISO 14443 standard tags ISO 15693 standard tags Automatic detection of the type of tag
Supply voltage limits	19.2...29 V DC
Current consumption	< 60 mA
Status LED	Communication network: 1 LED (dual colour) RFID communication: 1 LED (dual colour)
Tightening torque	< 3 N.m
Marking	CE
Net weight	0.257 kg

Environment

Product certifications	UL, FCC
Standards	ETSI EN 301 489-3 ETSI EN 301 489-1 ETSI EN 300 330-1 ETSI EN 300 330-2
Ambient air temperature for operation	-25...70 °C
Ambient air temperature for storage	-40...85 °C
IP degree of protection	IP65 conforming to IEC 60529
Vibration resistance	2 mm (f= 5...29.5 Hz) conforming to IEC 60068-2-6 7 gn (f= 29.5...150 Hz) conforming to IEC 60068-2-6
Shock resistance	30 gn for 11 ms conforming to IEC 60068-2-27

IK degree of protection	IK02 conforming to IEC 62262
Electromagnetic compatibility	<p>Electrostatic discharge immunity test: (contact discharge), 3, 6 kV, conforming to IEC 61000-4-2</p> <p>Electrostatic discharge immunity test: (air discharge), 3, 8 kV, conforming to IEC 61000-4-2</p> <p>Electrical fast transient/burst immunity test: (signal ports), 3, 1 kV, conforming to IEC 61000-4-4</p> <p>Electrical fast transient/burst immunity test: (power ports), 3, 2 kV, conforming to IEC 61000-4-4</p> <p>Susceptibility to electromagnetic fields: , 3, 10 V/m, conforming to IEC 61000-4-3</p> <p>1.2/50 μs shock waves immunity test: , 3, 10 kV, conforming to IEC 61000-4-5</p> <p>Conducted RF disturbances: , 3, 10 V, conforming to IEC 61000-4-6</p> <p>Magnetic field at power frequency: , 4, 30 A/m, conforming to IEC 61000-4-8</p>

Packing Units

Unit Type of Package 1	PCE
Number of Units in Package 1	1
Package 1 Height	13.000 cm
Package 1 Width	4.000 cm
Package 1 Length	9.500 cm
Package 1 Weight	257.000 g
Unit Type of Package 2	S02
Number of Units in Package 2	22
Package 2 Height	15 cm
Package 2 Width	30 cm
Package 2 Length	40 cm
Package 2 Weight	5.956 kg

Offer Sustainability

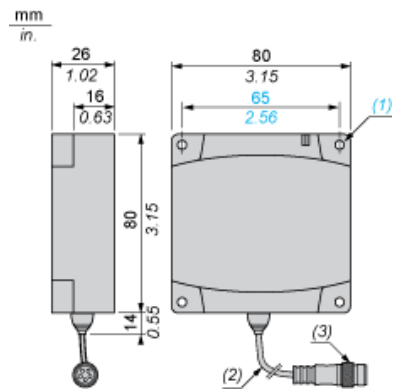
Sustainable offer status	Green Premium product
California proposition 65	<p>WARNING: This product can expose you to chemicals including: Diisononyl phthalate (DINP), which is known to the State of California to cause cancer, and Di-isodecyl phthalate (DIDP), which is known to the State of California to cause birth defects or other reproductive harm. For more information go to www.P65Warnings.ca.gov</p>
For all Reach Rohs enquiries contact us at	sustainability@tesensors.com

Contractual warranty

Warranty	18 months
----------	-----------

Dimensions

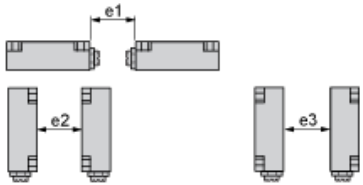
Compact Smart Antennas



- (1) 4 x \varnothing 5.5. for CHC type screws
- (2) Shielded cable (length: 20 cm)
- (3) A-coded, male 5-pin M12 connector

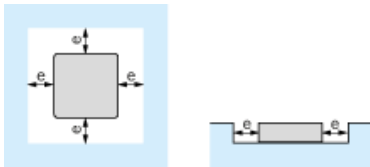
Minimum Mounting Distances

Distance Between Smart Antennas



Tag	e1	e2	e3
XGHB90E340 XGHB520246	430	750	280
XGHB221346	280	530	260
XGHB320***	310	540	240
XGHB211345 XGHB123345	200	370	170
XGHB44***	310	400	160

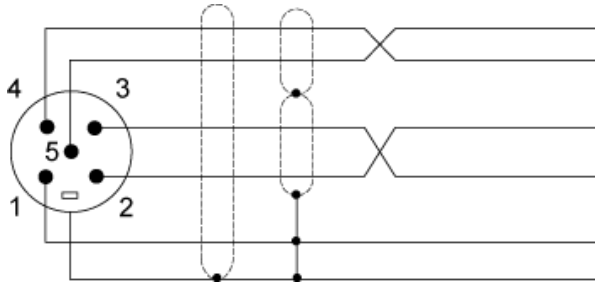
Minimum Mounting Distances in a Metal Structure



(e) ≥ 20 mm.

Wiring Diagram

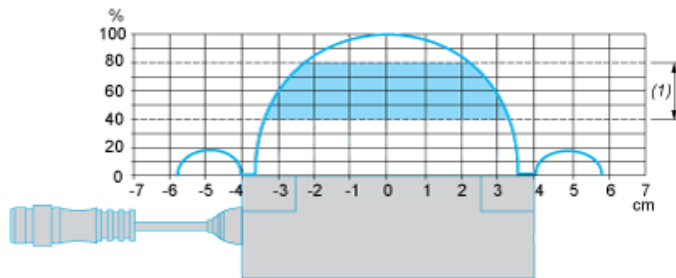
Modbus Connections



Pin no.	Modbus smart antenna signal
1	Drain (Modbus-SHLD)
2	+ 24 VDC
3	0 V/Modbus-GND
4	D0
5	D1
Connector casing	Shielding

Curves

Dialogue Zones of Compact Smart Antennas



(1) Recommended movement zone: between 0.4 and 0.8 Pn.