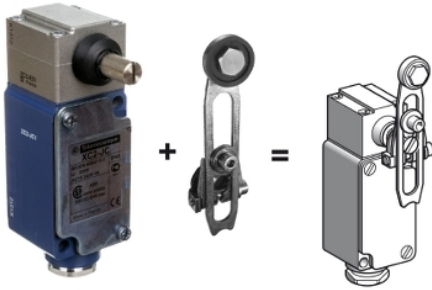


XC2JC10531

Limit switch, Limit switches XC Standard, XC2 J, roller lever, 1 C/O



Main

| | |
|------------------------------|--|
| Range of product | OsiSense XC |
| Series name | Special format |
| Product or component type | Limit switch |
| Product specific application | For severe applications |
| Device short name | XC2J |
| Body type | Fixed |
| Head type | Rotary head |
| Material | Metal |
| Movement of operating head | Rotary |
| Type of operator | Roller lever thermoplastic variable length |
| Switch actuation | By 30° cam |
| Type of approach | Lateral approach, 1 direction programmable |
| Number of poles | 1 |
| Contact operation | Snap action |
| Minimum torque for tripping | 0.2 N.m |
| Maximum actuation speed | 0.5 m/s |
| Repeat accuracy | 0.01 mm with 1 million operating cycles |

Complementary

| | |
|-------------------------------------|---|
| Fixing mode | By the body |
| Electrical connection | Screw-clamp terminals, clamping capacity: 1 x 0.5...2 x 2.5 mm ² |
| Cable entry | 1 entry incorporating cable gland, cable outer diameter: 6...13.5 mm |
| Contacts insulation form | Za |
| Contacts material | Silver plated contacts |
| Positive opening | Without |
| Minimum actuation speed | 0.001 m/min |
| Contact code designation | A300, AC-15 (U _e = 240 V), I _e = 3 A, I _{the} = 10 A conforming to EN/IEC 60947-5-1 Q300, DC-13 (U _e = 250 V), I _e = 0.27 A conforming to EN/IEC 60947-5-1 |
| [Ui] rated insulation voltage | 500 V conforming to IEC 60947-5-1 500 V conforming to NF C 20-040 group C 300 V conforming to CSA C22.2 No 14 |
| Maximum resistance across terminals | 25 MOhm conforming to IEC 60255-7 category 3 25 MOhm conforming to NF C 93-050 method A |
| Short-circuit protection | 10 A cartridge fuse, type gG |
| Electrical durability | 5000000 Cycles, DC-13, 120 V, 4 W, operating rate <3600 cyc/h, load factor: 0.5 conforming to IEC 60947-5-1 appendix C 5000000 Cycles, DC-13, 24 V, 10 W, operating rate <3600 cyc/h, load factor: 0.5 conforming to IEC 60947-5-1 appendix C 5000000 cycles, DC-13, 48 V, 7 W, operating rate <3600 cyc/h, load factor: 0.5 conforming to IEC 60947-5-1 appendix C |
| Mechanical durability | 30000000 cycles |
| Width | 40 mm |
| Height | 121 mm |
| Depth | 41 mm |
| Net weight | 0.555 kg |
| Terminals description ISO n°1 | (13-14-11-12)OF |

The information provided in this documentation contains general descriptions and/or technical characteristics of the performance of the products contained herein. This documentation is not intended as a substitute for and is not to be used for determining suitability or reliability of these products for specific user applications. It is the duty of any such user or integrator to perform the appropriate and complete risk analysis, evaluation and testing of the products with respect to the relevant specific application or use thereof. Neither TWSS Holding nor any of its affiliates or subsidiaries shall be responsible or liable for misuse of the information contained herein.

Environment

| | |
|---------------------------------------|--|
| Shock resistance | 25 gn for 18 ms conforming to IEC 60068-2-27 |
| Vibration resistance | 10 gn (f= 10...500 Hz) conforming to IEC 60068-2-6 |
| IP degree of protection | IP65 conforming to IEC 60529 IP657 conforming to NF C 20-010 |
| IK degree of protection | IK08 |
| Electrical shock protection class | Class I conforming to IEC 60536 Class I conforming to NF C 20-030 |
| Ambient air temperature for operation | -25...70 °C |
| Ambient air temperature for storage | -40...70 °C |
| Protective treatment | TC |
| Product certifications | NEMKO[RETURN]CSA[RETURN]DEMKO |
| Standards | EN/IEC 60947-5-1 CSA C22.2 No 14 IEC 60337-1 VDE 0660-200 UL 508 |

Packing Units

| | |
|------------------------------|-----------|
| Unit Type of Package 1 | PCE |
| Number of Units in Package 1 | 1 |
| Package 1 Height | 7.200 cm |
| Package 1 Width | 14.500 cm |
| Package 1 Length | 4.500 cm |
| Package 1 Weight | 636.000 g |
| Unit Type of Package 2 | S01 |
| Number of Units in Package 2 | 7 |
| Package 2 Height | 15.000 cm |
| Package 2 Width | 15.000 cm |
| Package 2 Length | 40.000 cm |
| Package 2 Weight | 4.636 kg |

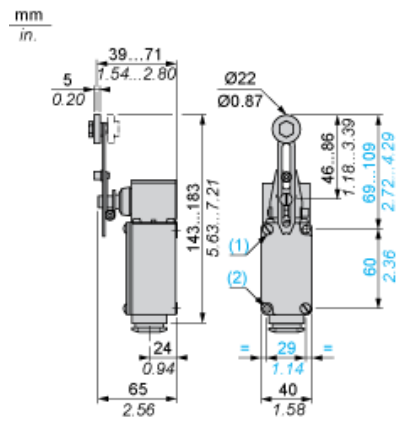
Offer Sustainability

| | |
|--|---|
| Sustainable offer status | Green Premium product |
| Circularity Profile | No need of specific recycling operations |
| California proposition 65 | WARNING: This product can expose you to chemicals including: Diisononyl phthalate (DINP), which is known to the State of California to cause cancer, and Di-isodecyl phthalate (DIDP), which is known to the State of California to cause birth defects or other reproductive harm. For more information go to www.P65Warnings.ca.gov |
| For all Reach Rohs enquiries contact us at | sustainability@tesensors.com |

Contractual warranty

| | |
|----------|-----------|
| Warranty | 18 months |
|----------|-----------|

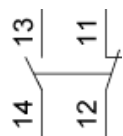
Dimensions



- (1) Fixing from the rear: by 2 M5 screws. Depth of thread on switch: 10 mm.
- (2) Fixing from the front via 2 holes Ø 5.5.

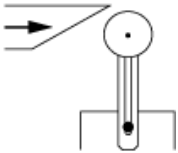
Wiring Diagram

Single-pole CO Snap Action

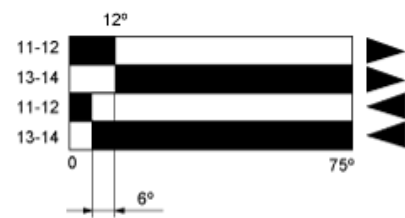


Characteristics of Actuation

Switch Actuation by 30° Cam



Functionnal Diagram



- (1)
- (2)
- ▶ (3)
- ◀ (4)

- (1) Closed
- (2) Open
- (3) Tripping
- (4) Resetting